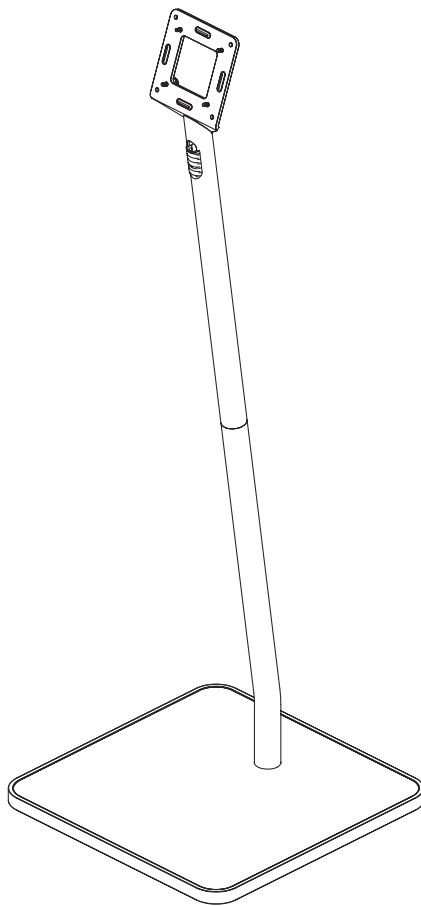


i DISPLAY

Interactive Digital Displays

i DISPLAY Retail Tablet L,XL & XXL Floor Display

Product Specification & Assembly Instructions



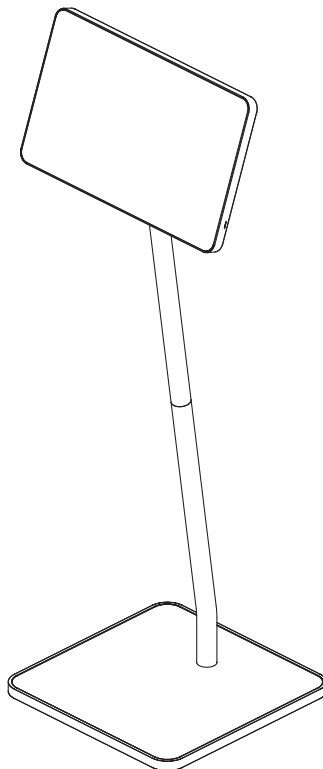
i DISPLAY

Interactive Digital Displays

i Display's range of fixtures are the perfect retail accessory for your i Display Retail Tablet and Android Advertising Display.

The floor display gives you a complete solution to secure your display to any floor location within the store.

The i Display Retail tablet L/XL/XXL floor display is made from high-quality materials and is very simple to assemble. Additionally, the fixture's base cover can be easily branded to best suit your company's need.



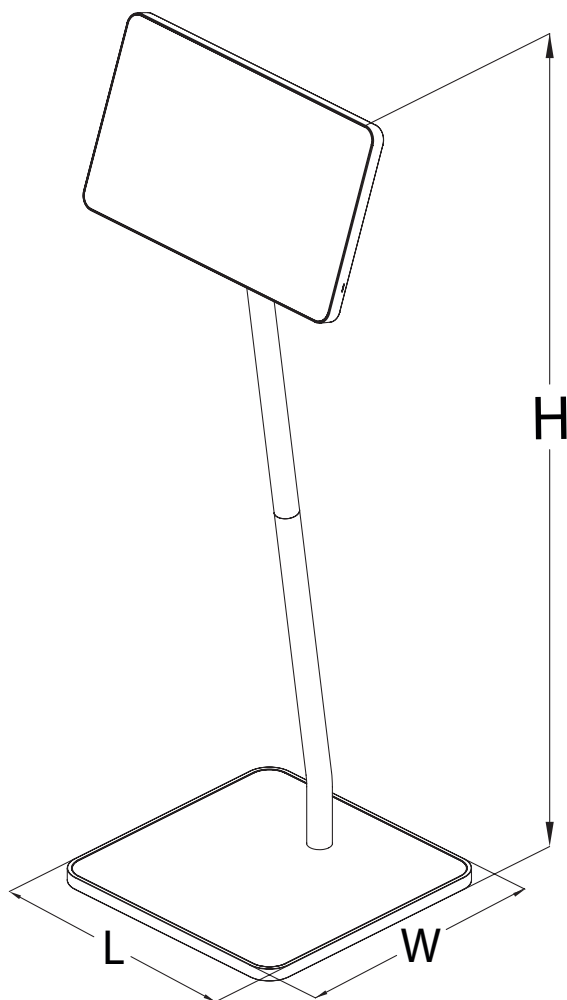
For further information or support, please contact support@i-display.com

i DISPLAY

Interactive Digital Displays

Product Specification

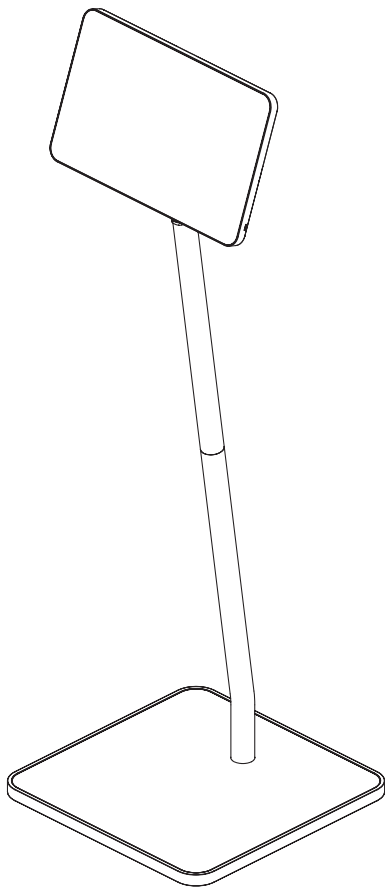
L X W X H mm



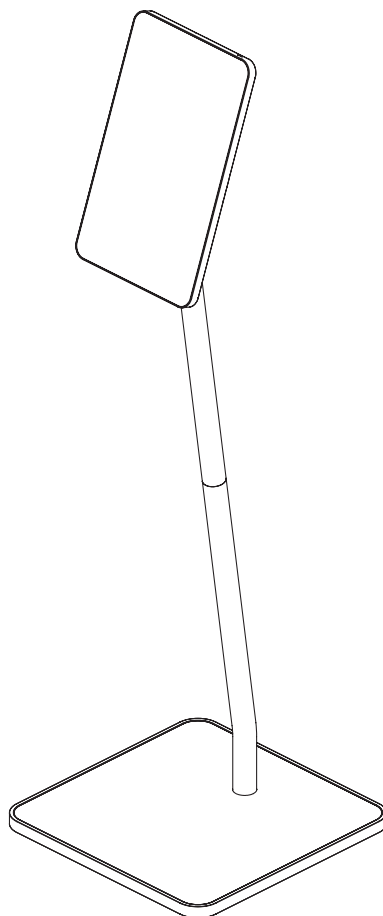
For further information or support, please contact support@i-display.com

i DISPLAY

Interactive Digital Displays



15.6" horizontal position
400 X 400 X 1234

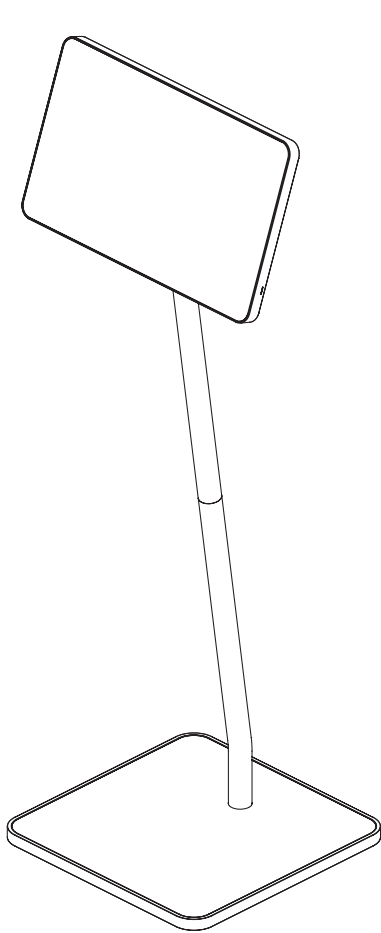


15.6" vertical position
400 X 400 X 1301

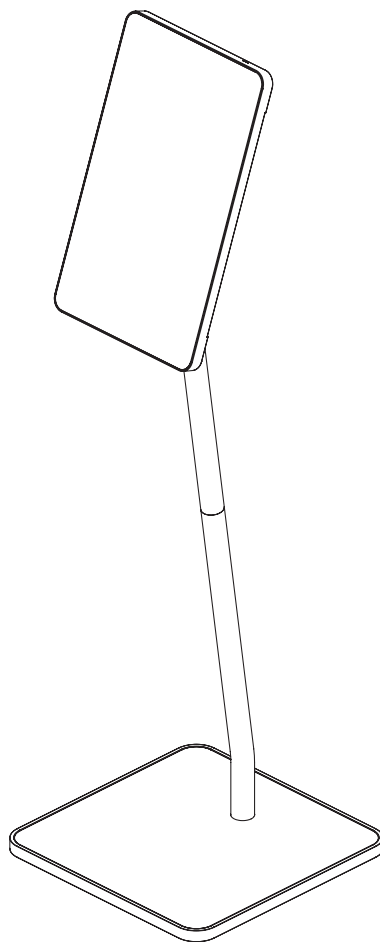
For further information or support, please contact support@i-display.com

i DISPLAY

Interactive Digital Displays



18.5" horizontal position
400 X 400 X 1258

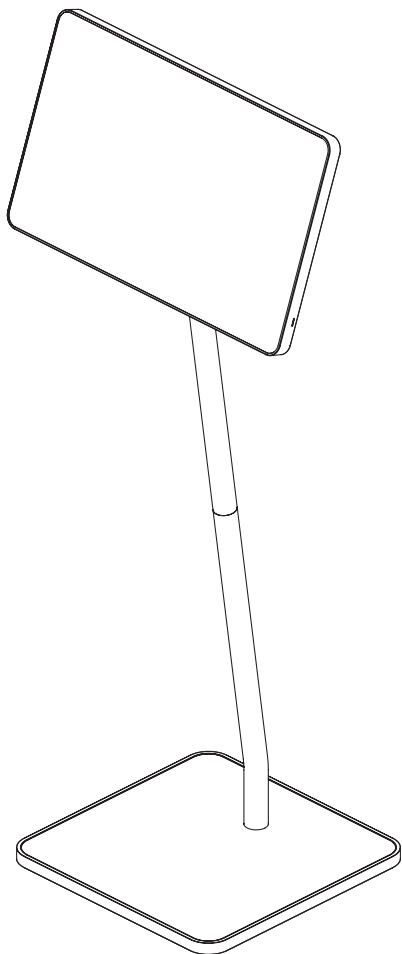


18.5" vertical position
400 X 400 X 1343

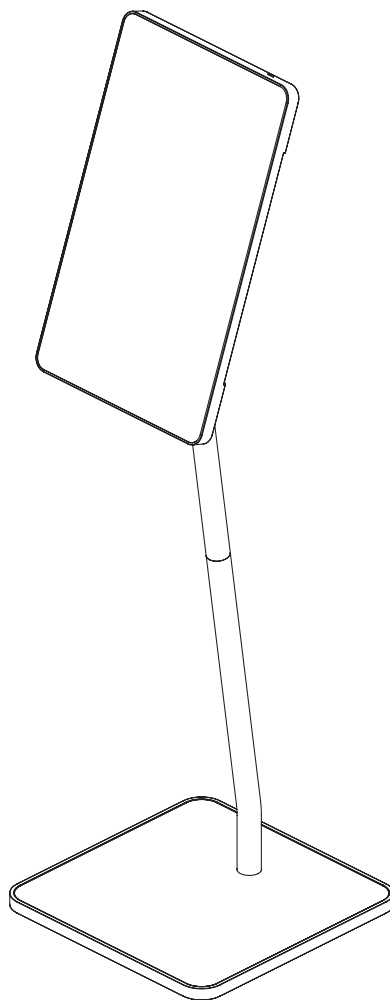
For further information or support, please contact support@i-display.com

i DISPLAY

Interactive Digital Displays



21.5" horizontal position
538 (Tablet) X 400 X 1281



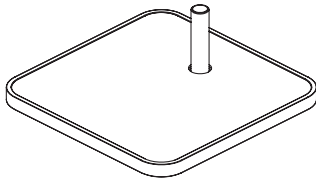
21.5" vertical position
400 X 400 X 1379

For further information or support, please contact support@i-display.com

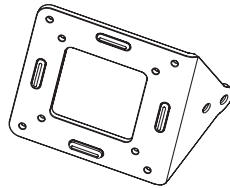
i DISPLAY

Interactive Digital Displays

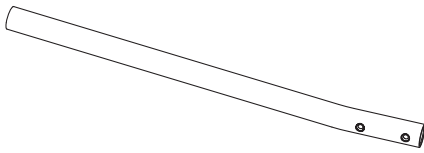
Components



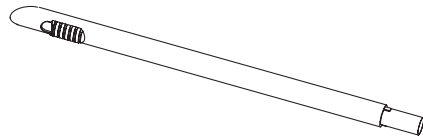
Base



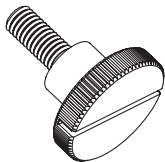
Vesa mounting bracket



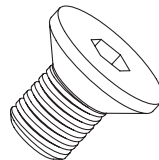
Pipe - 1



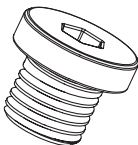
Pipe - 2



thumb screws (4pc)



M5 flat head screws (4pc)



M8 screws (2pc)



Allen wrench

For further information or support, please contact support@i-display.com

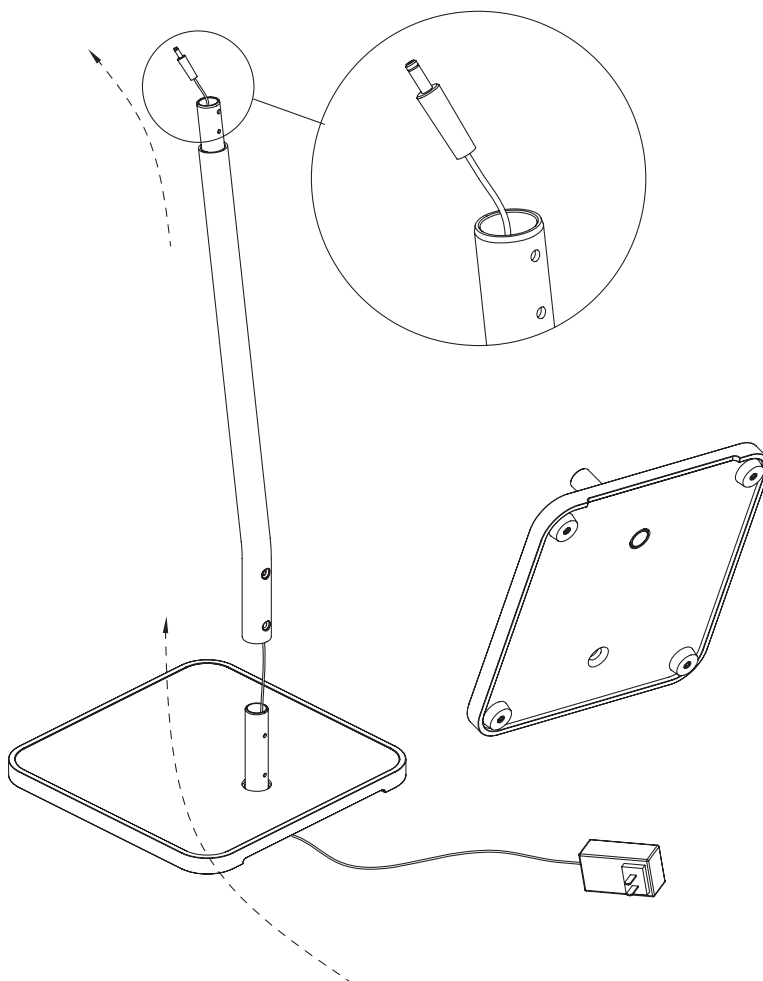
i DISPLAY

Interactive Digital Displays

Assembly Instructions

Step 1

Pass the DC jack through the base of the stand and pipe-1.



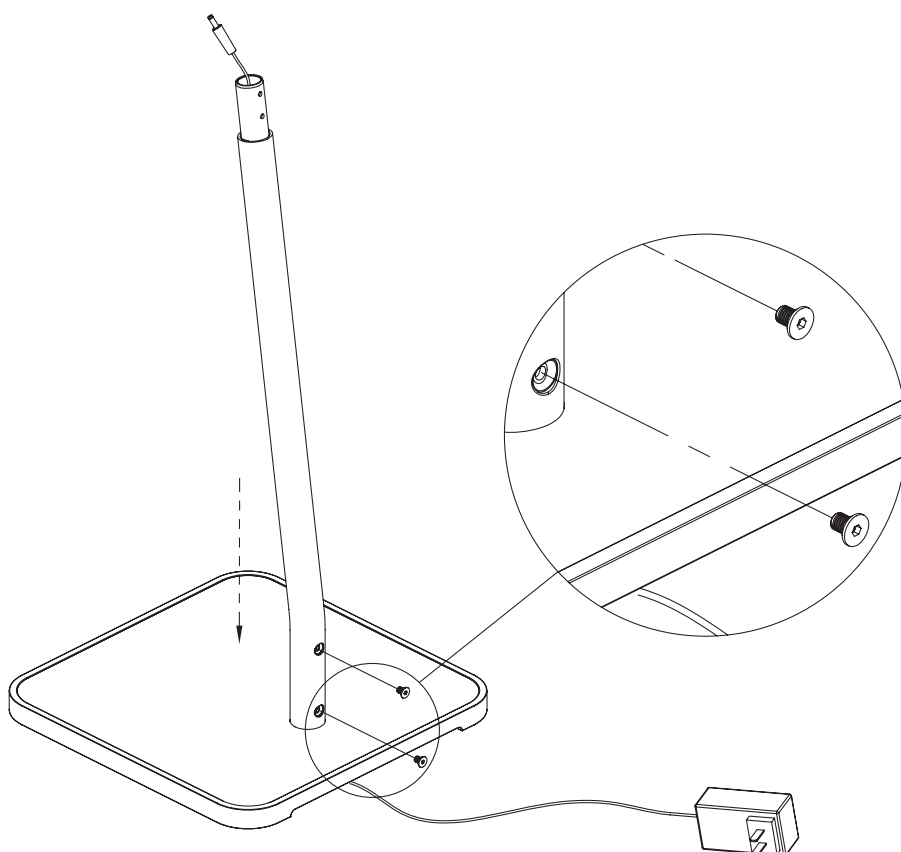
For further information or support, please contact support@i-display.com

i DISPLAY

Interactive Digital Displays

Step 2

Insert pipe-1 to the base, use 2 M5 flat head screws to attach them together, and then tighten the screw with Allen wrench.



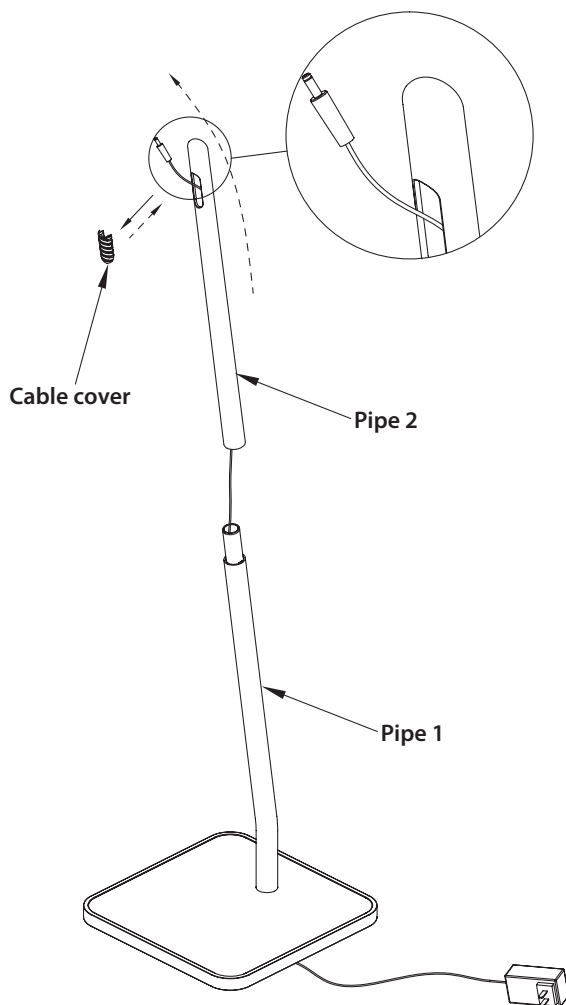
For further information or support, please contact support@i-display.com

i DISPLAY

Interactive Digital Displays

Step 3

Remove the cable cover, pass the DC jack through the pipe-2, then replace the cable cover.



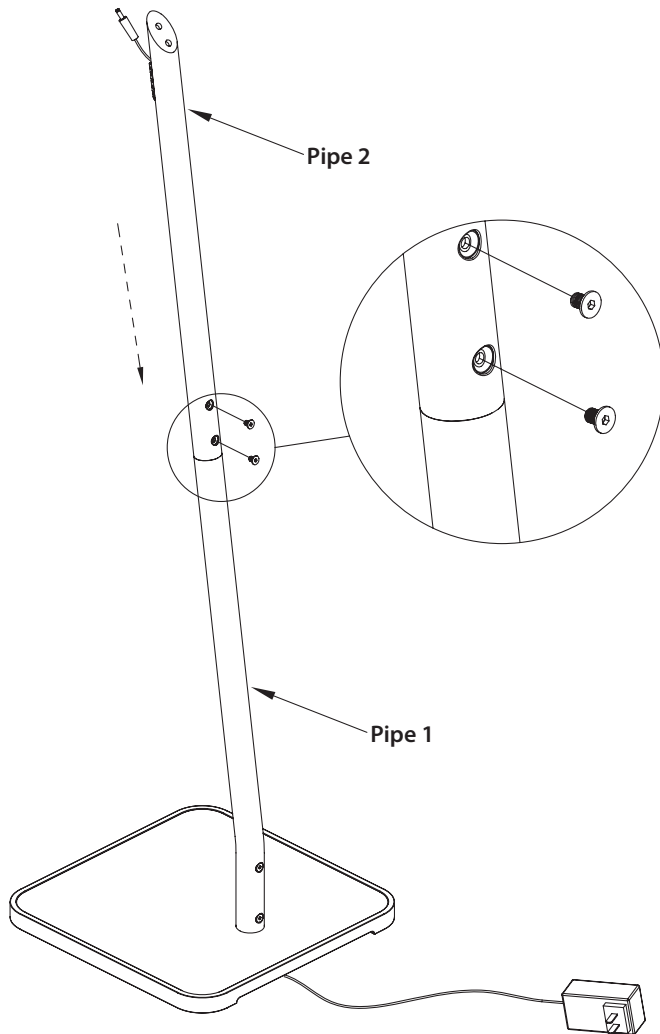
For further information or support, please contact support@i-display.com

i DISPLAY

Interactive Digital Displays

Step 4

Attach pipe-2 into pipe-1, insert 2 M5 flat head screws, and then tighten the screws with Allen wrench.



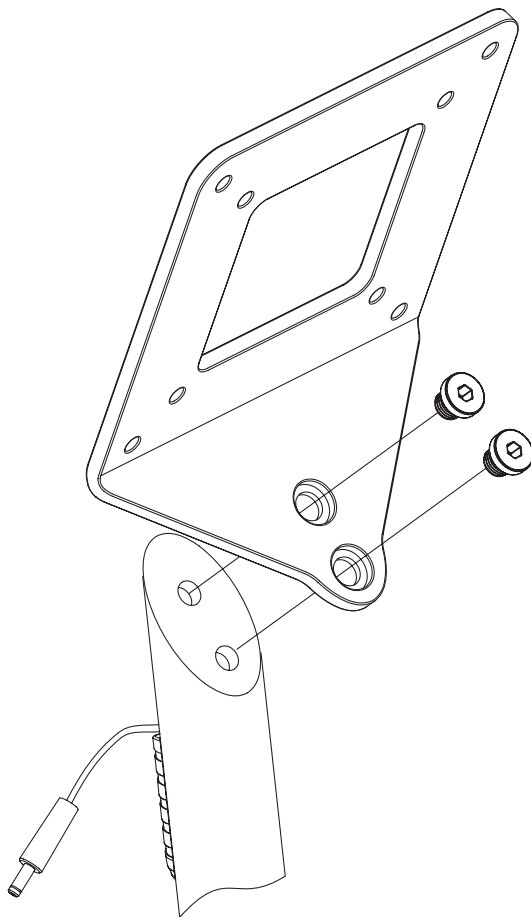
For further information or support, please contact support@i-display.com

i DISPLAY

Interactive Digital Displays

Step 5

Use 2 M8 screws to attach the Vesa bracket and pipe-2 together, and then tighten the screws with the Allen wrench.



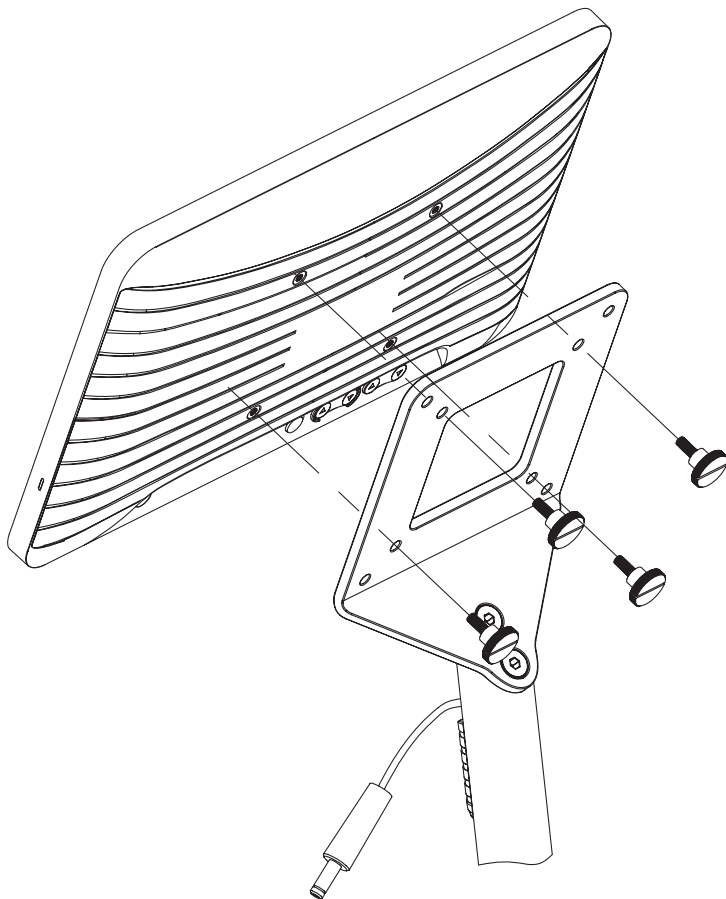
For further information or support, please contact support@i-display.com

i DISPLAY

Interactive Digital Displays

Step 6

Use the 4 thumb screws to affix your Retail Tablet to the floor display.



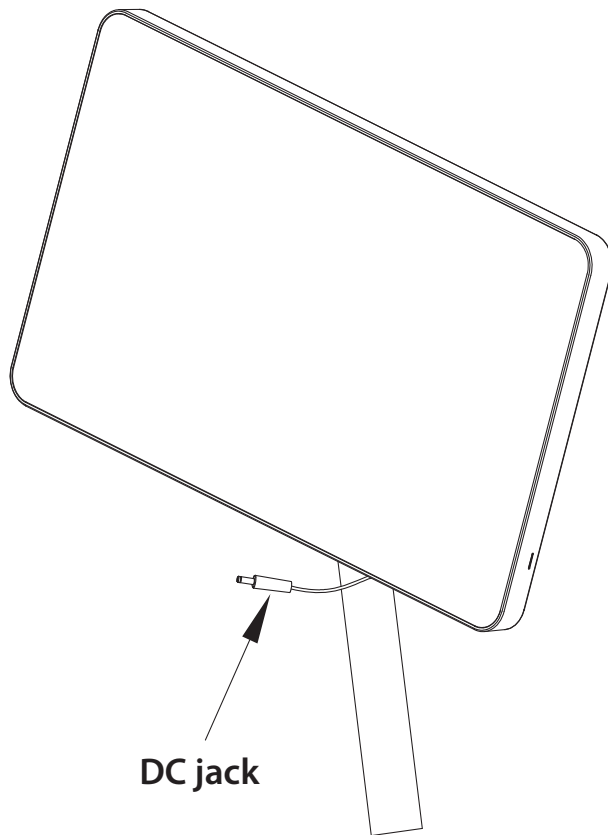
For further information or support, please contact support@i-display.com

i DISPLAY

Interactive Digital Displays

Step 7

Connect the DC jack to the Retail Tablet.



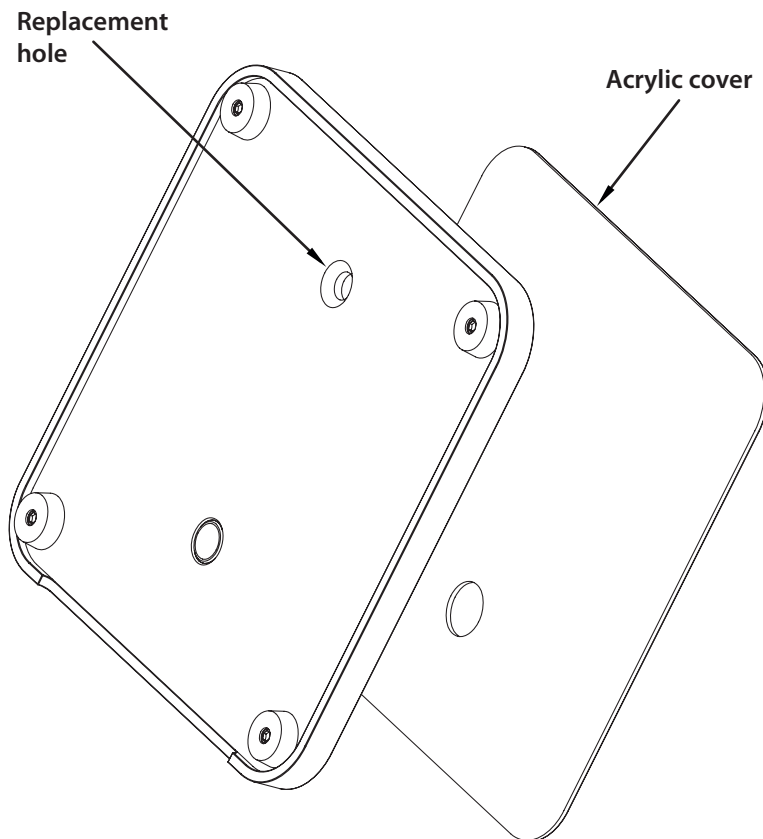
For further information or support, please contact support@i-display.com

i DISPLAY

Interactive Digital Displays

Step 8 - Optional

To replace the cover of the base use the replacement hole to push the acrylic base out and replace it with a new cover



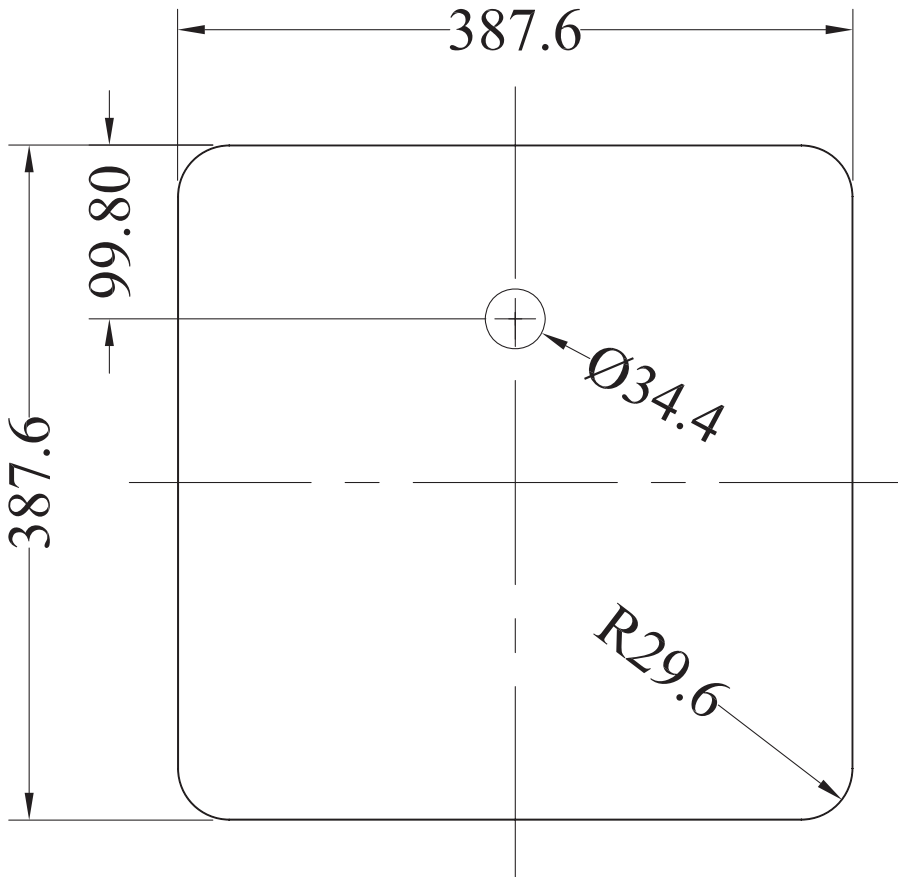
For further information or support, please contact support@i-display.com

i DISPLAY

Interactive Digital Displays

Die Cut

Please refer to the die cut below if you would like to brand the cover of your base



For further information or support, please contact support@i-display.com