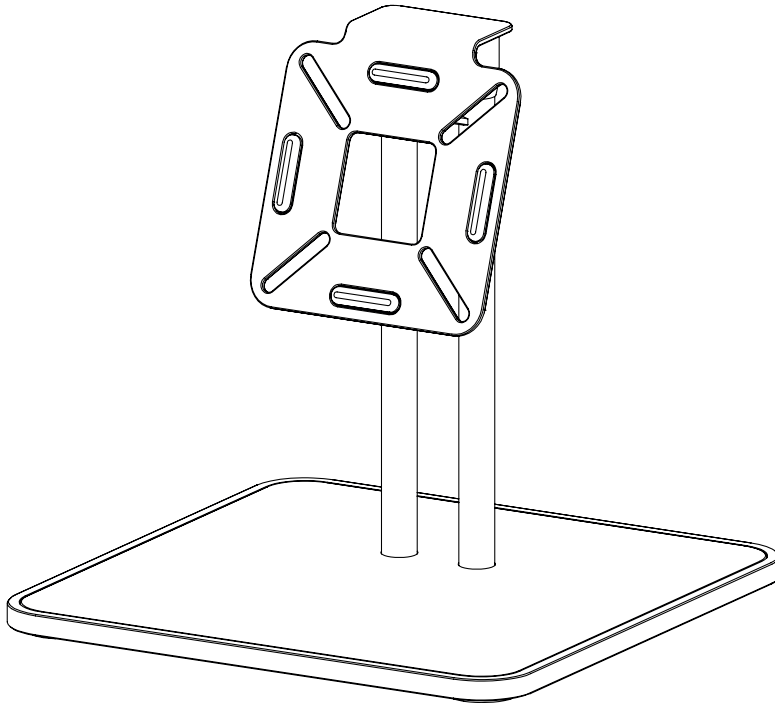


i DISPLAY

Interactive Digital Displays

i DISPLAY Retail Tablet S/M Counter Display

Product Specification & Assembly Instructions



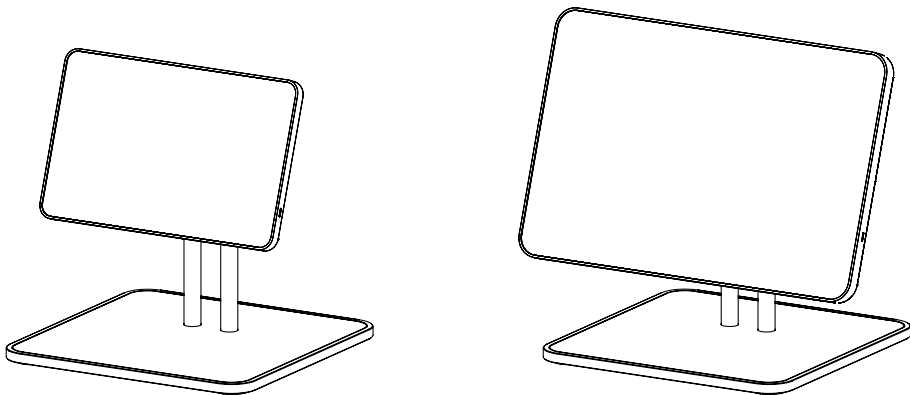
i DISPLAY

Interactive Digital Displays

i Display's range of fixtures are the perfect retail accessory for your i Display Retail Tablet.

The counter display gives you a complete solution to secure your display to any counter location within the store.

The i Display Retail tablet S/M counter display is made from high-quality materials and is very simple to assemble. Additionally, the fixture's base cover can be easily branded to best suit your company's need.



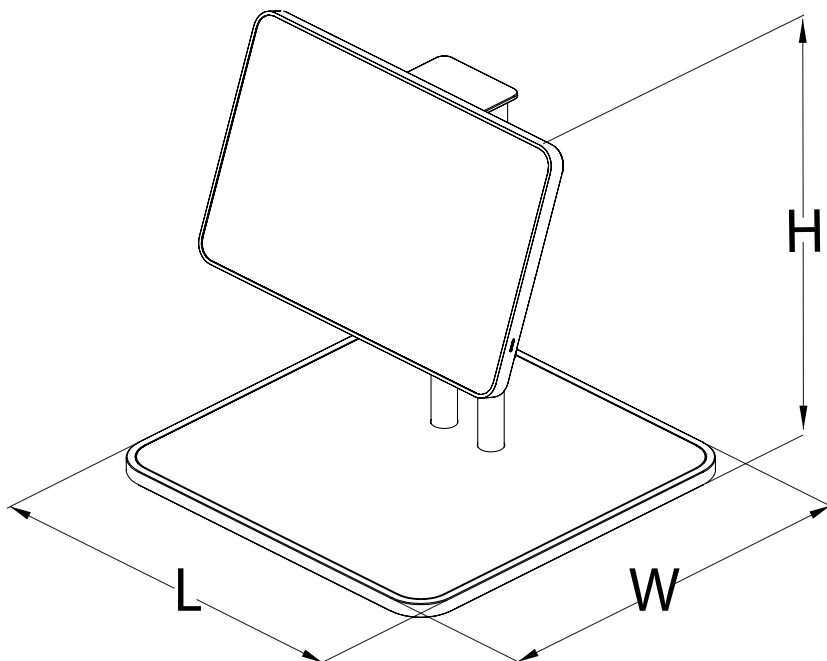
For further information or support, please contact support@i-display.com

i DISPLAY

Interactive Digital Displays

Product Specification

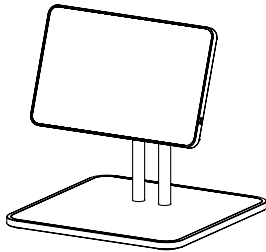
L X W X H mm



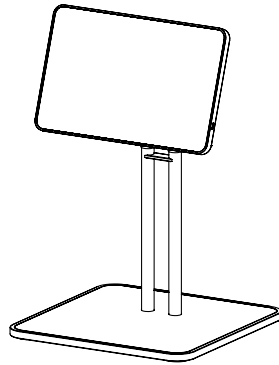
For further information or support, please contact support@i-display.com

i DISPLAY

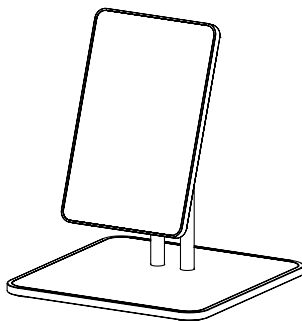
Interactive Digital Displays



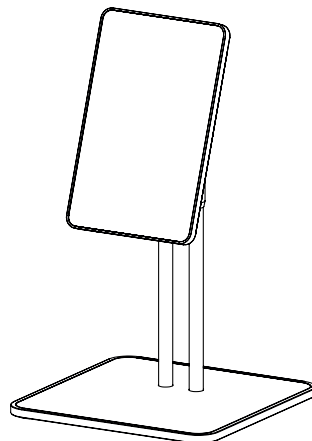
7" lowest horizontal position
200 X 200 X 210



7" highest horizontal position
200 X 200 X 310



7" lowest vertical position
200 X 200 X 243

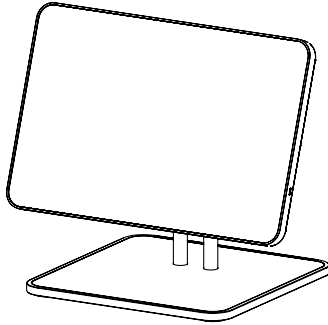


7" highest vertical position
200 X 200 X 343

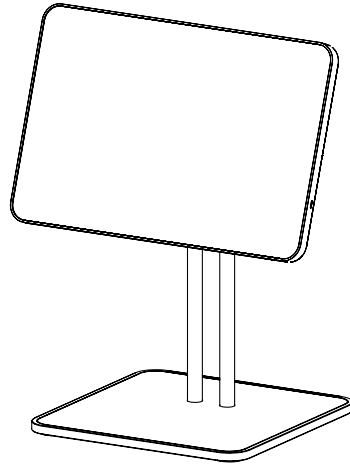
For further information or support, please contact support@i-display.com

i DISPLAY

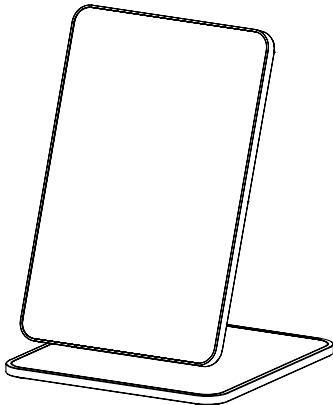
Interactive Digital Displays



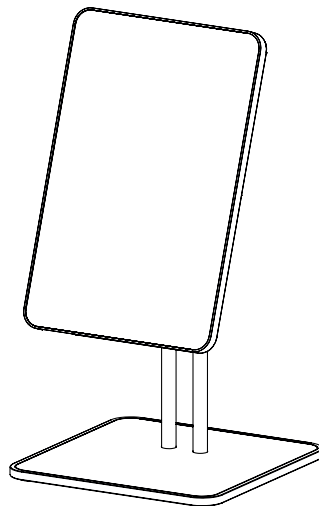
10.2" lowest horizontal position
270 (Tablet) X 200 X 235



10.2" highest horizontal position
270 (Tablet) X 200 X 335



10.2" lowest vertical position
200 X 200 X 280



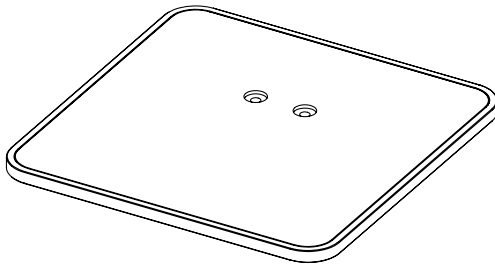
10.2" highest vertical position
200 X 200 X 380

For further information or support, please contact support@i-display.com

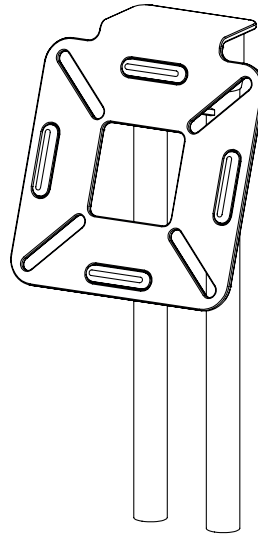
i DISPLAY

Interactive Digital Displays

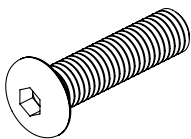
Components



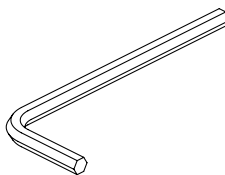
Base



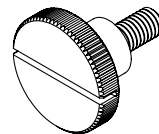
Vesa mounting bracket



Screw (2pc)



Allen wrench



thumb screw (4pc)

For further information or support, please contact support@i-display.com

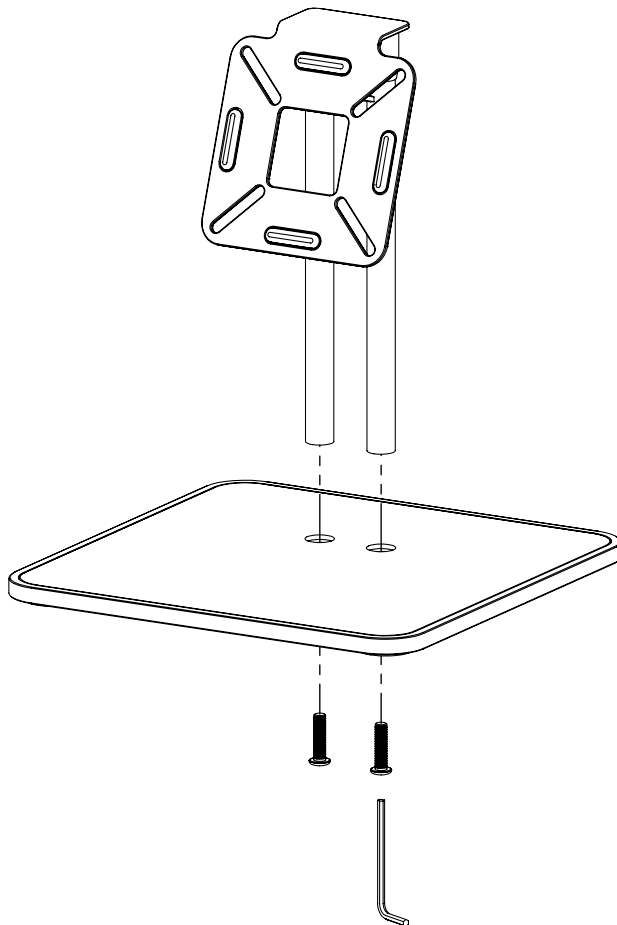
i DISPLAY

Interactive Digital Displays

Assembly Instructions

Step 1

Use the Allen wrench and two screws
to connect the base to the Metal VESA Bracket



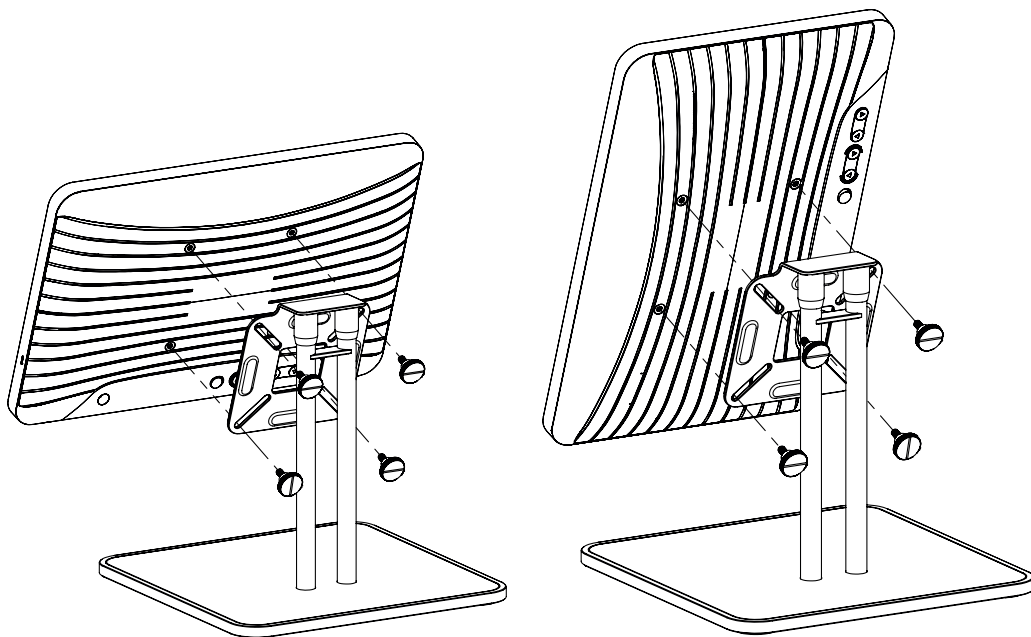
For further information or support, please contact support@i-display.com

i DISPLAY

Interactive Digital Displays

Step 2

Use the 4 thumb screws to connect your Retail Tablet to the assembled counter display.



For further information or support, please contact support@i-display.com

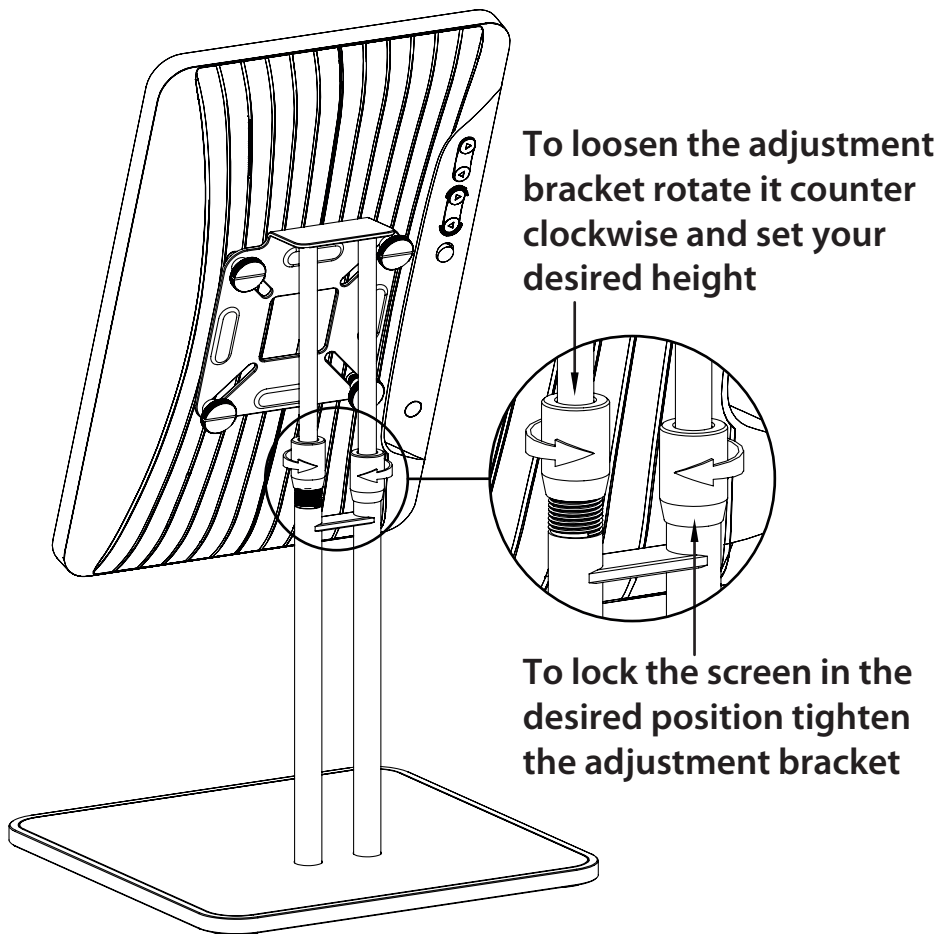
i DISPLAY

Interactive Digital Displays

Step 3

The height of the display can be adjusted using the adjustment bracket.

The display can be adjusted 100mm



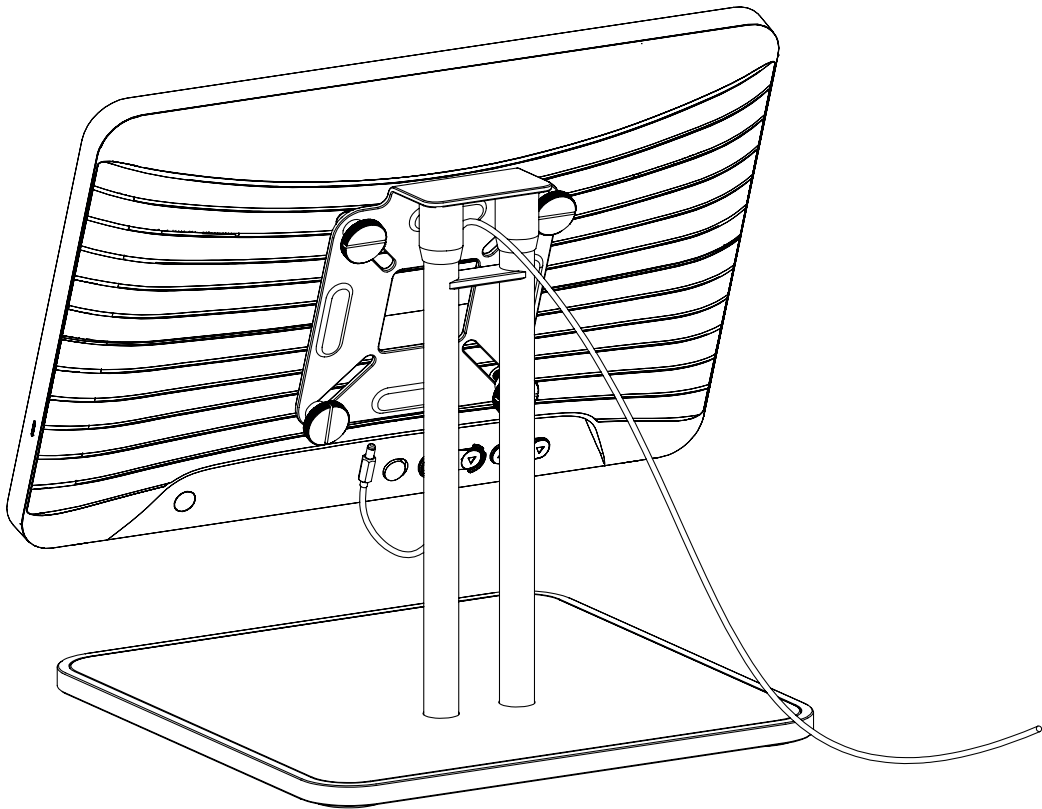
For further information or support, please contact support@i-display.com

i DISPLAY

Interactive Digital Displays

Step 4

Plug the Tablet into the DC cord.



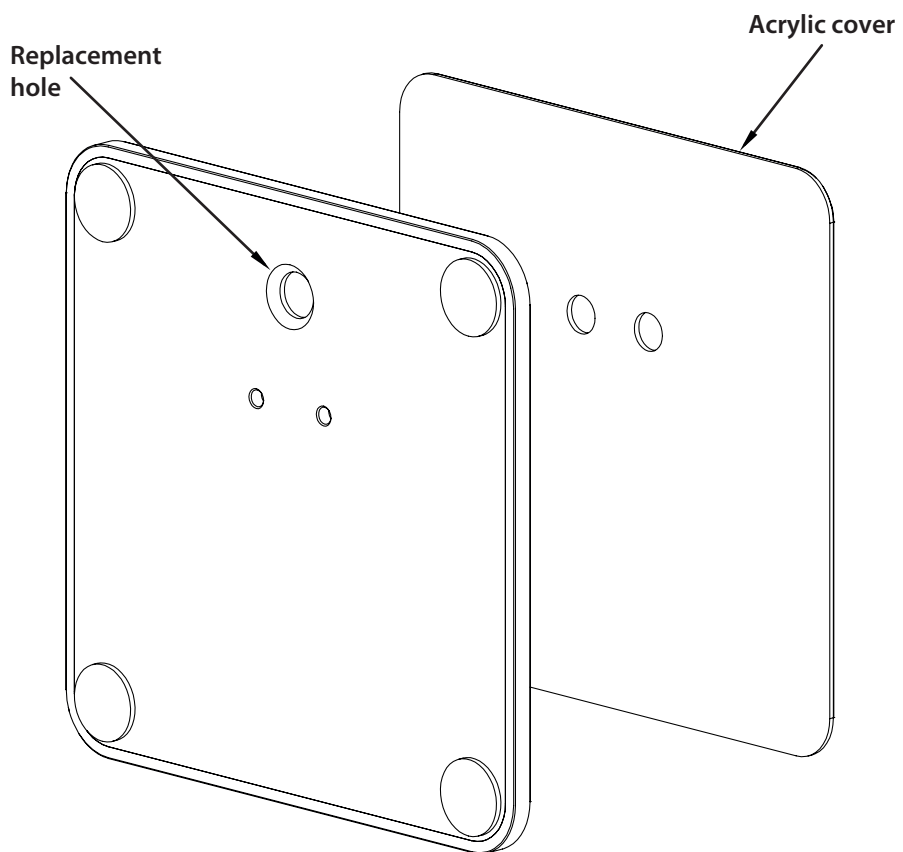
For further information or support, please contact support@i-display.com

i DISPLAY

Interactive Digital Displays

Step 5 - Optional

To replace the cover of the base use the replacement hole to push the acrylic base out and replace it with a new cover



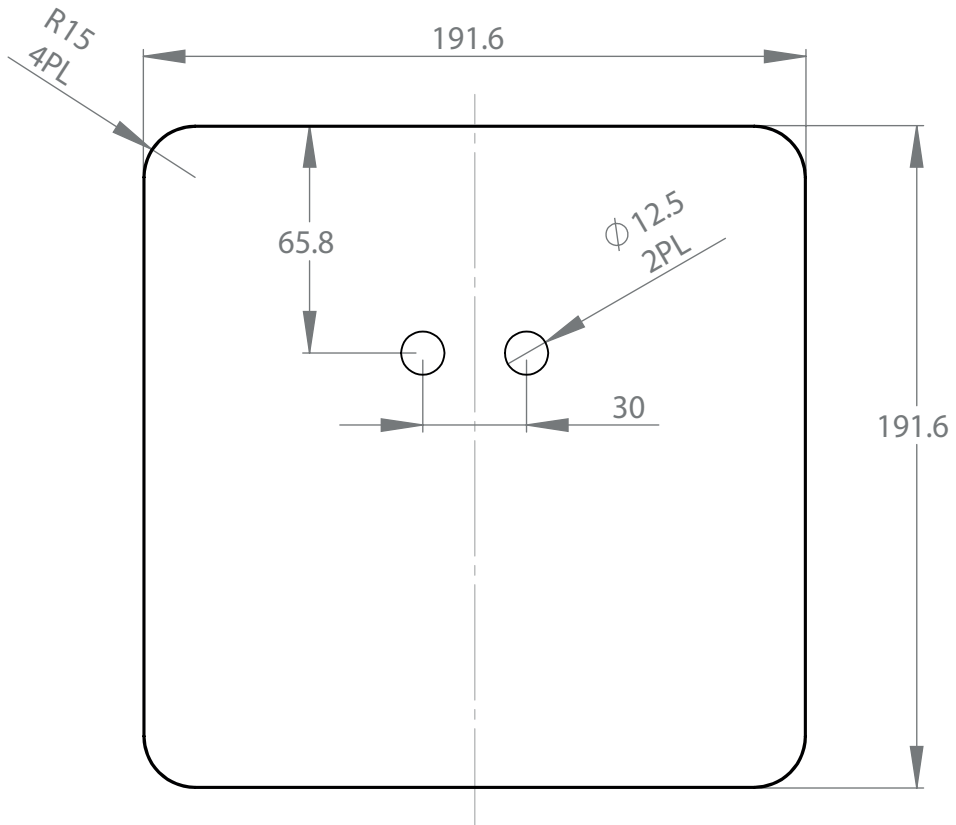
For further information or support, please contact support@i-display.com

i DISPLAY

Interactive Digital Displays

Die Cut

Please refer to the die cut below if you would like to brand the cover of your base



For further information or support, please contact support@i-display.com