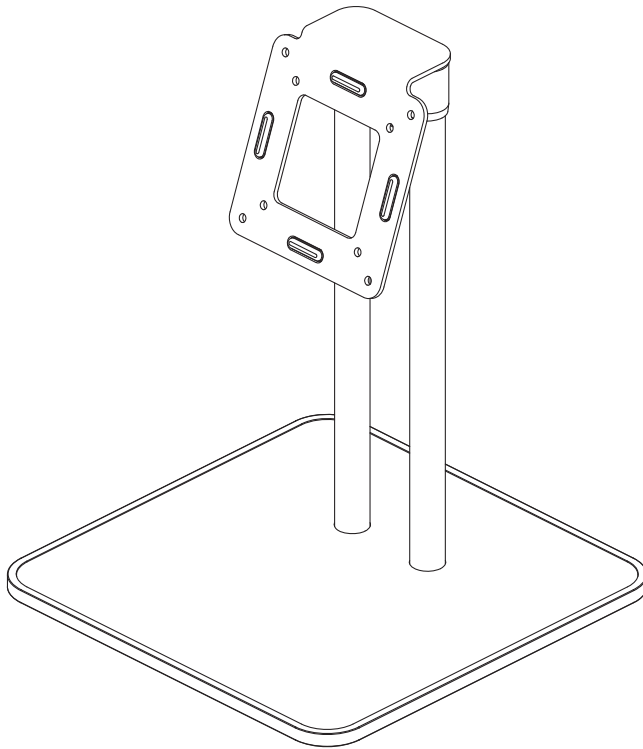


# i DISPLAY

Interactive Digital Displays

## i DISPLAY Retail Tablet L/XL/XXL Counter Display

### Product Specification & Assembly Instructions



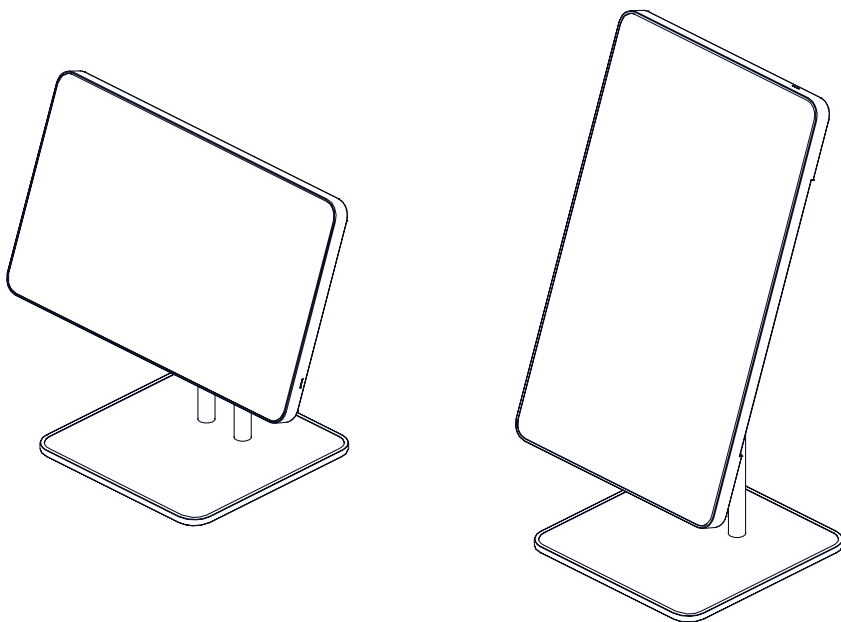
# **i DISPLAY**

Interactive Digital Displays

**i Display's range of fixtures are the perfect retail accessory for your i Display Retail Tablet and Android Advertising Display.**

**The counter display gives you a complete solution to secure your display to any counter location within the store.**

**The i Display Retail tablet L/XL/XXL counter display is made from high-quality materials and is very simple to assemble. Additionally, the fixture's base cover can be easily branded to best suit your company's need.**



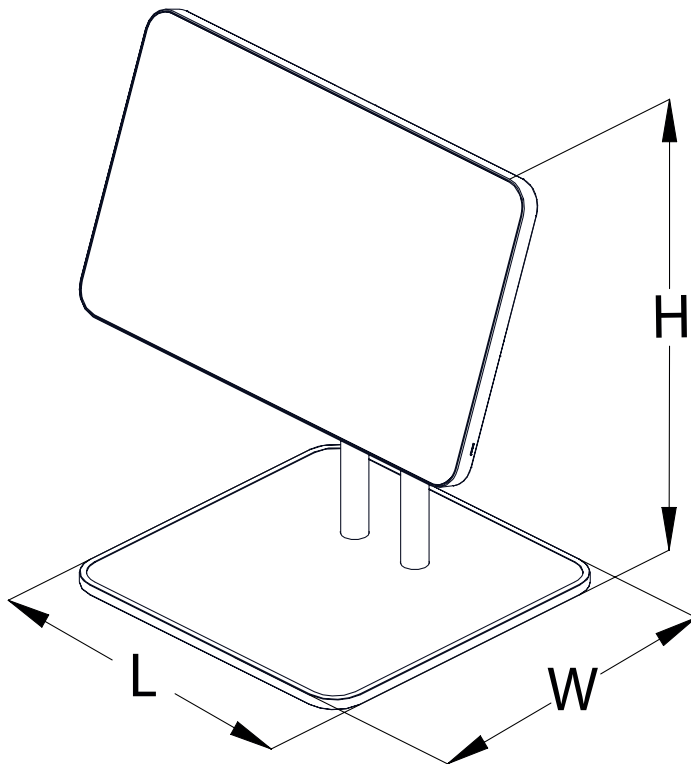
For further information or support, please contact [support@i-display.com](mailto:support@i-display.com)

# i DISPLAY

Interactive Digital Displays

## Product Specification

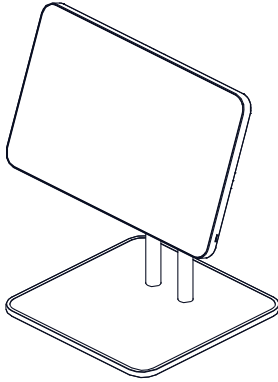
**L X W X H mm**



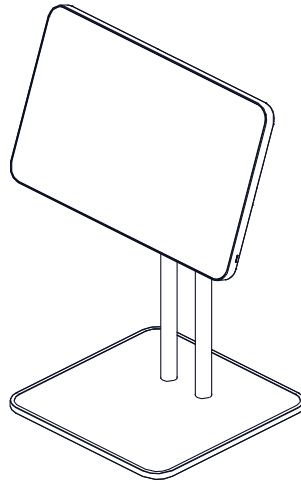
For further information or support, please contact [support@i-display.com](mailto:support@i-display.com)

# i DISPLAY

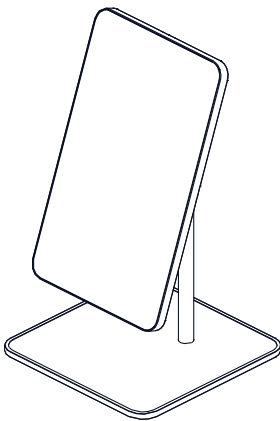
Interactive Digital Displays



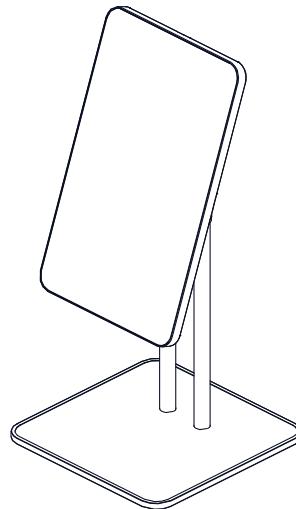
**15.6" lowest horizontal position**  
377 (Tablet) X 270 X 397



**15.6" highest horizontal position**  
377 (Tablet) X 270 X 497



**15.6" lowest vertical position**  
270 X 270 X 464

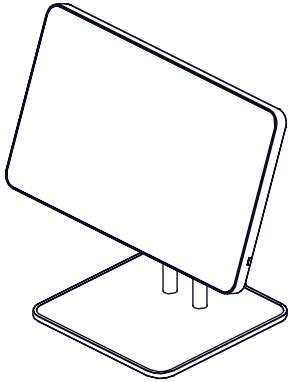


**15.6" highest vertical position**  
270 X 270 X 564

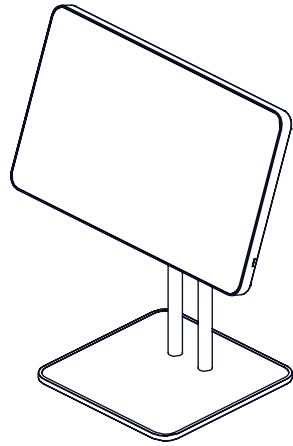
For further information or support, please contact [support@i-display.com](mailto:support@i-display.com)

# i DISPLAY

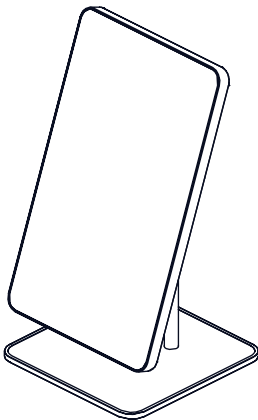
Interactive Digital Displays



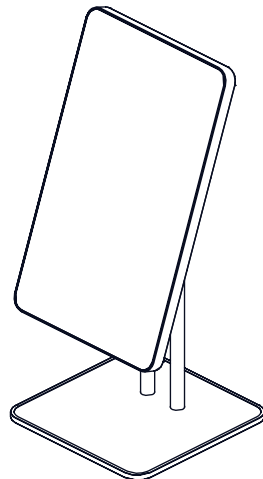
**18.5" lowest horizontal position**  
461 (Tablet) X 270 X 421



**18.5" highest horizontal position**  
461 (Tablet) X 270 X 521



**18.5" lowest vertical position**  
280 (Tablet) X 270 X 505



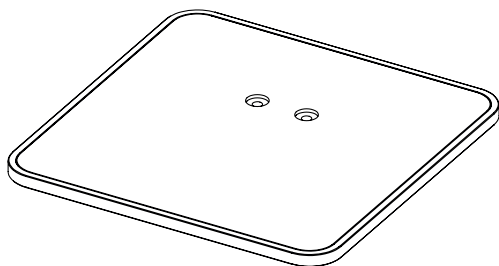
**18.5" highest vertical position**  
280 (Tablet) X 270 X 605

For further information or support, please contact [support@i-display.com](mailto:support@i-display.com)

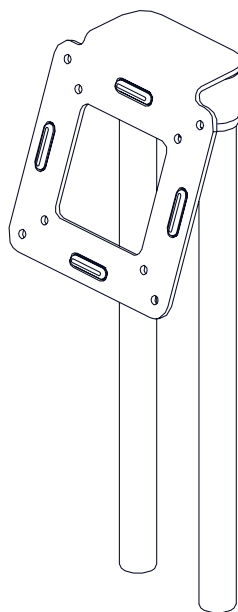
# i DISPLAY

Interactive Digital Displays

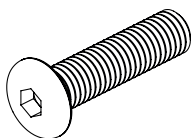
## Components



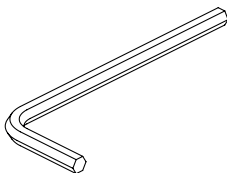
**Base**



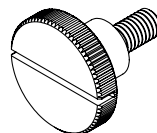
**Vesa mounting bracket**



**Screw (2pc)**



**Allen wrench**



**thumb screw (4pc)**

For further information or support, please contact [support@i-display.com](mailto:support@i-display.com)

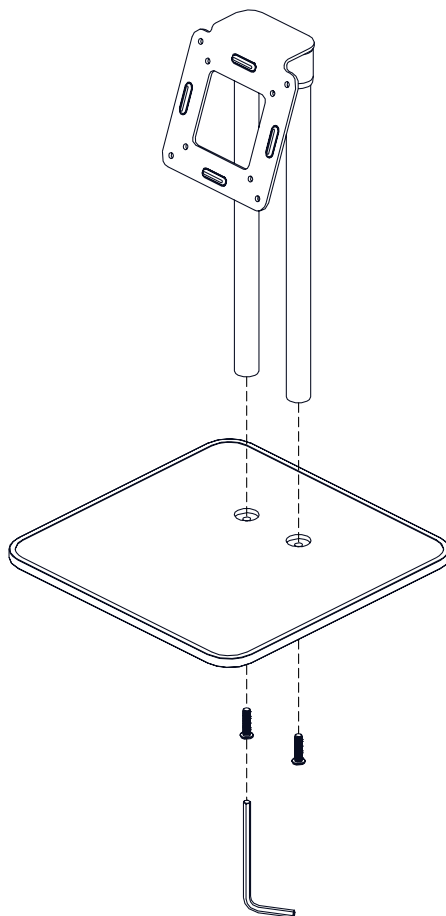
# i DISPLAY

Interactive Digital Displays

## Assembly Instructions

### Step 1

Use the Allen wrench and two screws  
to connect the base to the Metal VESA Bracket



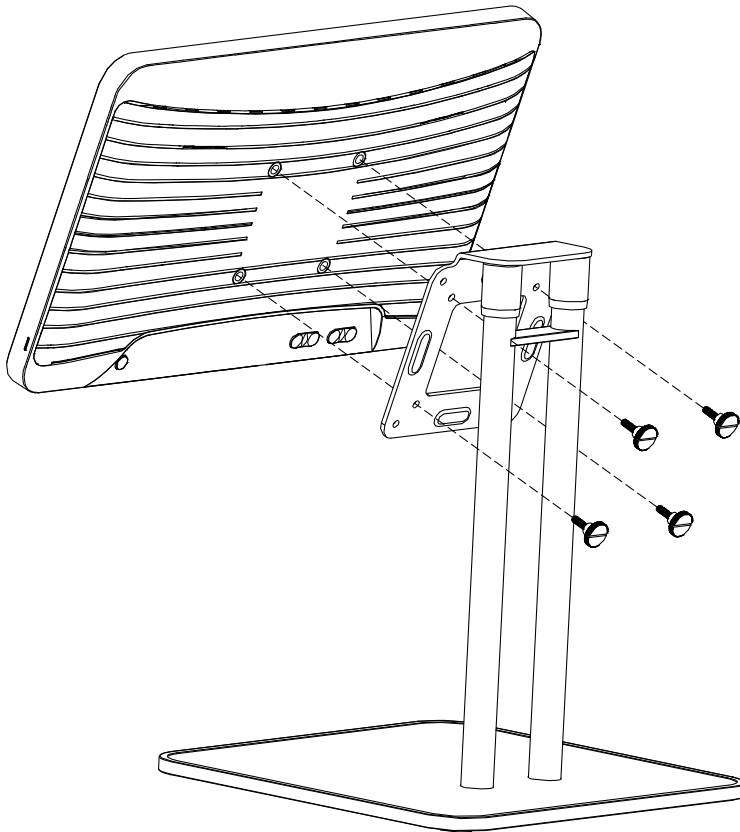
For further information or support, please contact [support@i-display.com](mailto:support@i-display.com)

# i DISPLAY

Interactive Digital Displays

## Step 2

Use the 4 thumb screws to connect your Retail Tablet or Advertising Display to the assembled counter display



For further information or support, please contact [support@i-display.com](mailto:support@i-display.com)



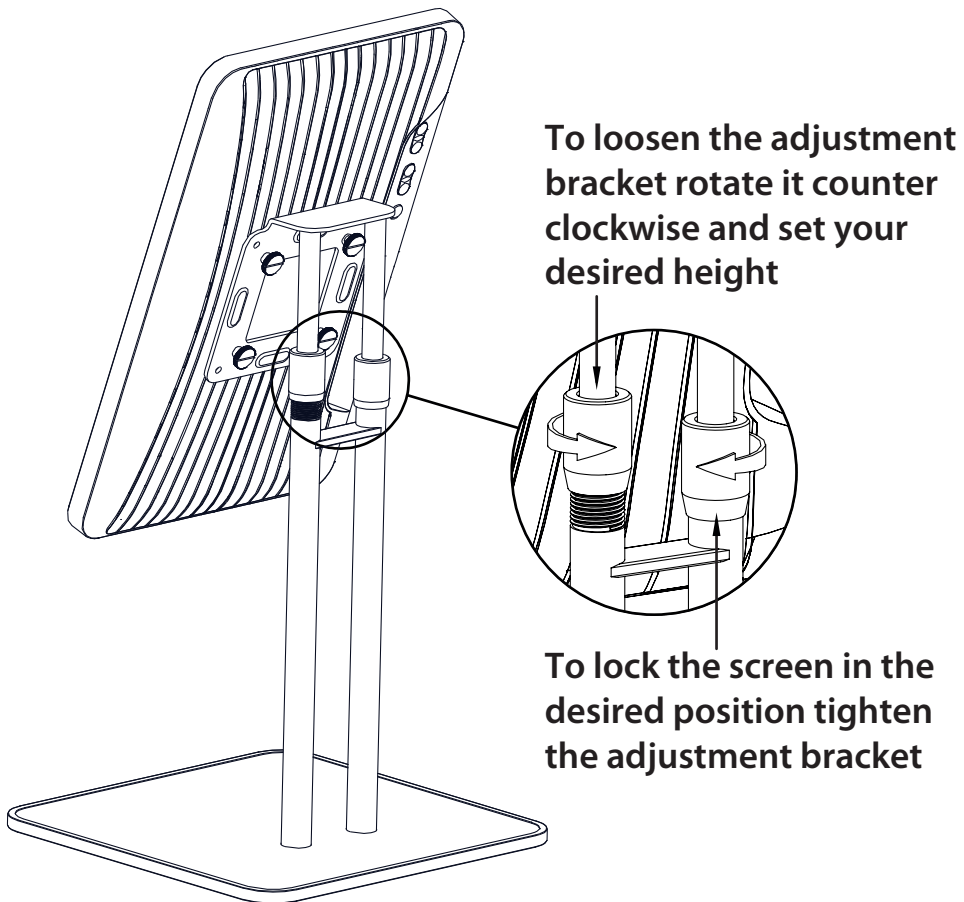
# i DISPLAY

Interactive Digital Displays

## Step 3

The height of the display can be adjusted using the adjustment bracket.

The display can be adjusted 100mm



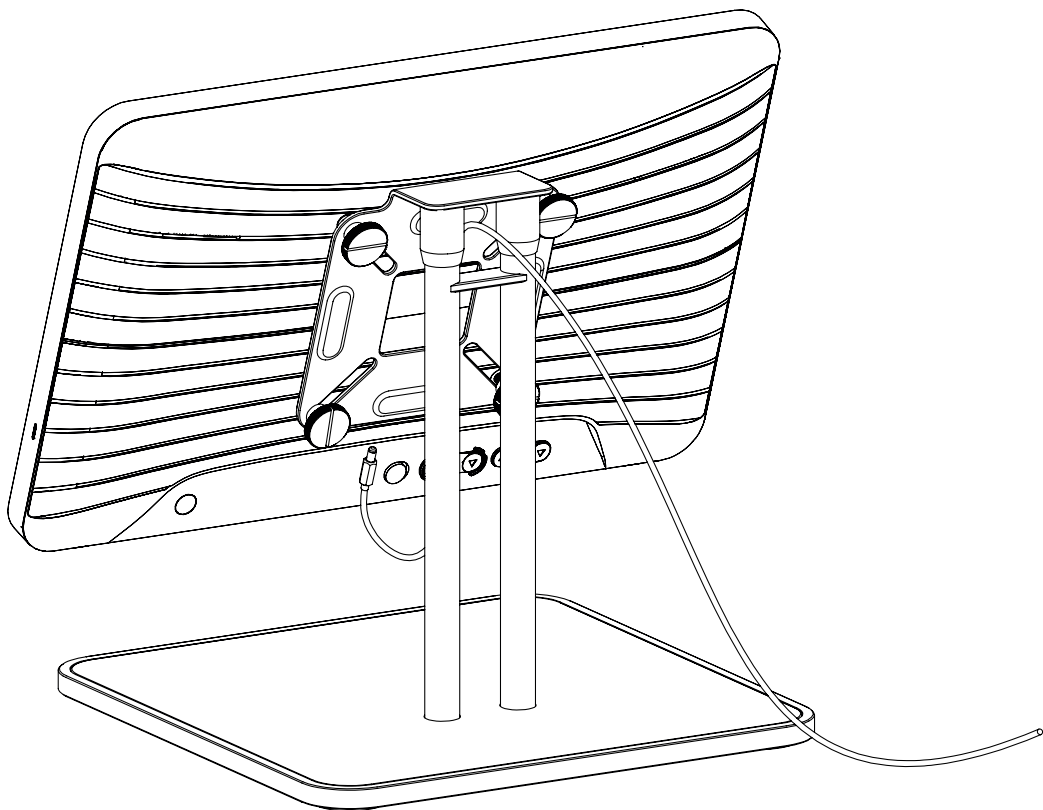
For further information or support, please contact [support@i-display.com](mailto:support@i-display.com)

# i DISPLAY

Interactive Digital Displays

## Step 4

Plug Tablet to DC cord



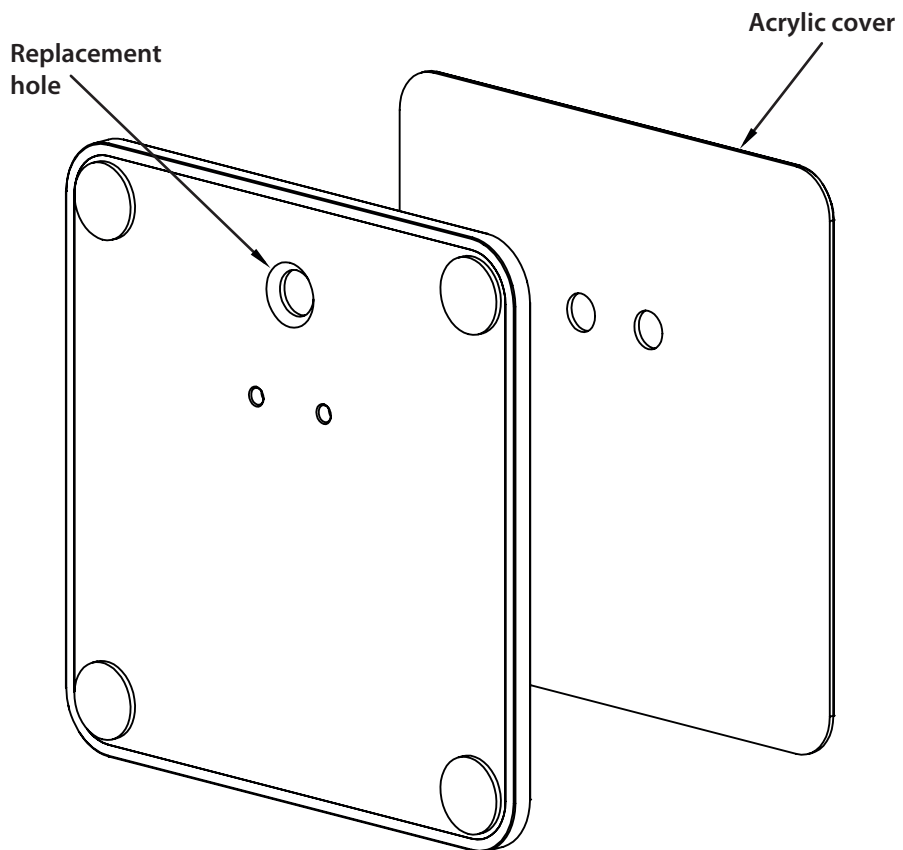
For further information or support, please contact [support@i-display.com](mailto:support@i-display.com)

# i DISPLAY

Interactive Digital Displays

## Step 5 - Optional

To replace the cover of the base use the replacement hole to push the acrylic base out and replace it with a new cover



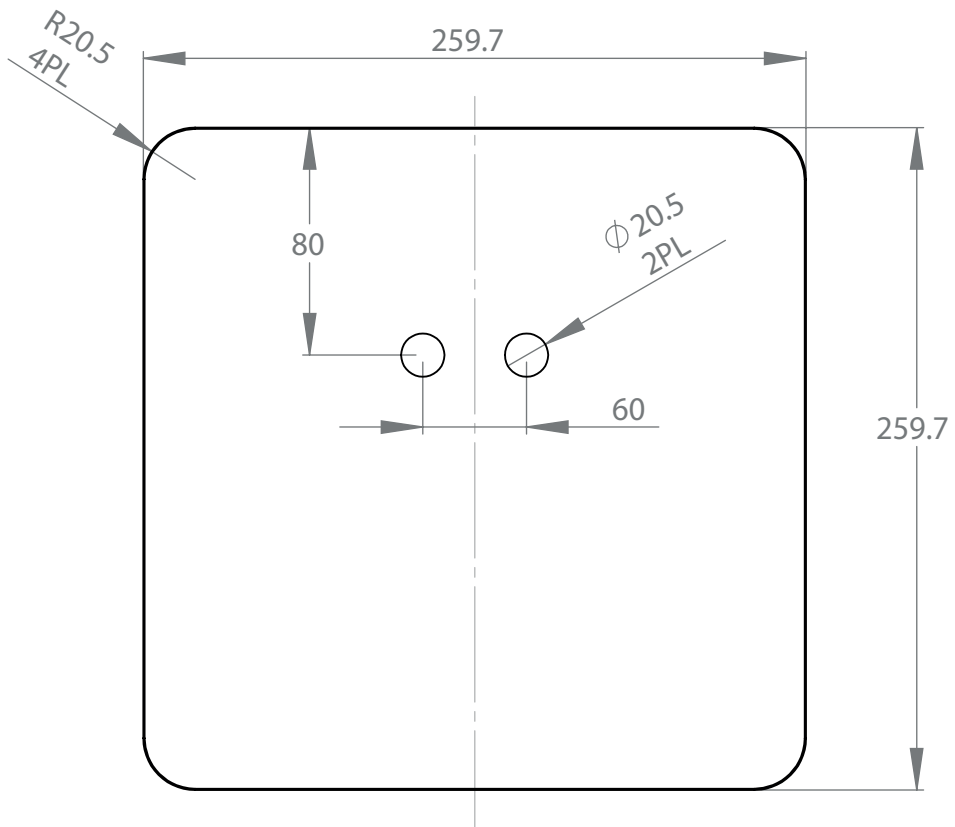
For further information or support, please contact [support@i-display.com](mailto:support@i-display.com)

# i DISPLAY

Interactive Digital Displays

## Die Cut

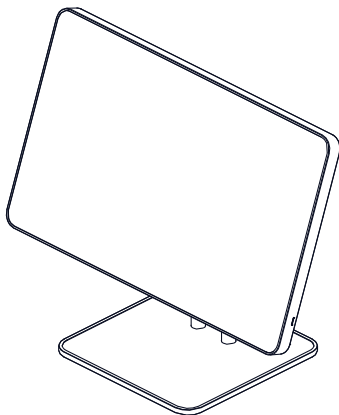
Please refer to the die cut below if you would like to brand the cover of your base



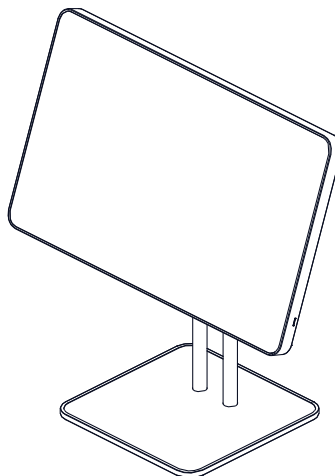
For further information or support, please contact [support@i-display.com](mailto:support@i-display.com)

# i DISPLAY

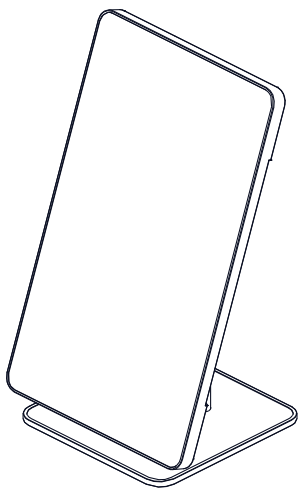
Interactive Digital Displays



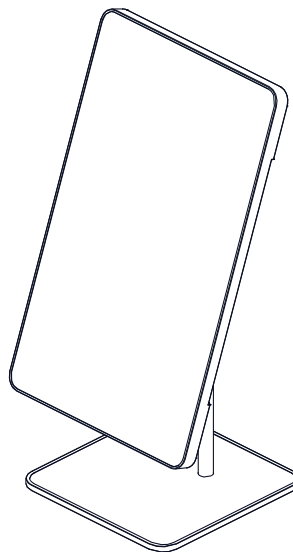
**21.5" lowest horizontal position**  
538 (Tablet) X 270 X 444



**21.5" highest horizontal position**  
538 (Tablet) X 270 X 544



**21.5" lowest vertical position**  
327 (Tablet) X 270 X 542



**21.5" highest vertical position**  
327 (Tablet) X 270 X 642

For further information or support, please contact [support@i-display.com](mailto:support@i-display.com)