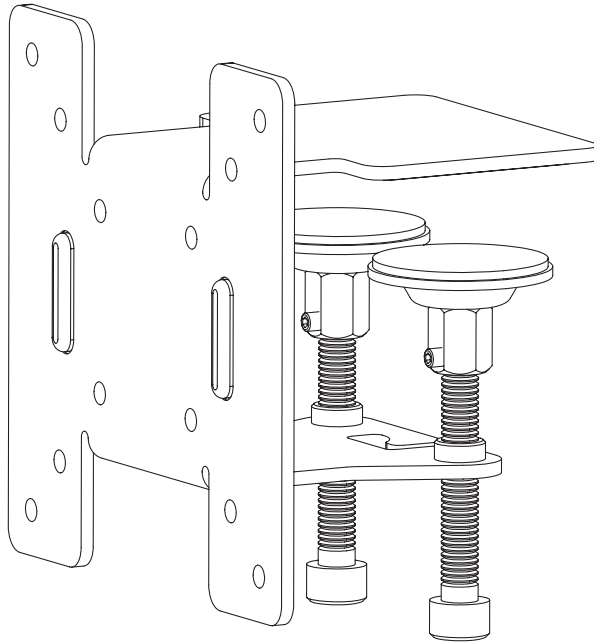


i DISPLAY

Interactive Digital Displays

i DISPLAY Retail Tablet Shelf Clip

Product Specification & Assembly Instructions



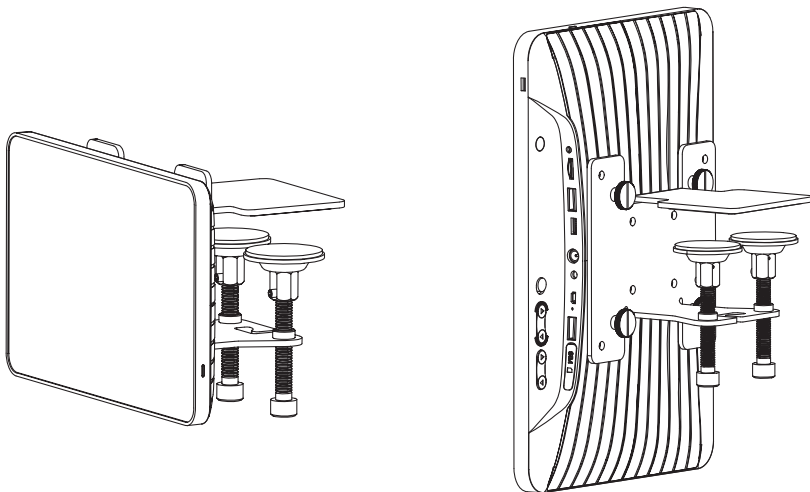
i DISPLAY

Interactive Digital Displays

i Display's range of fixtures are the perfect retail accessory for your i Display Retail Tablet and Android Advertising Display.

The tablet shelf clip gives you a complete solution to secure your display to any shelf location within the store.

The i Display Retail Tablet shelf clip is made from high-quality materials and is very simple to assemble.



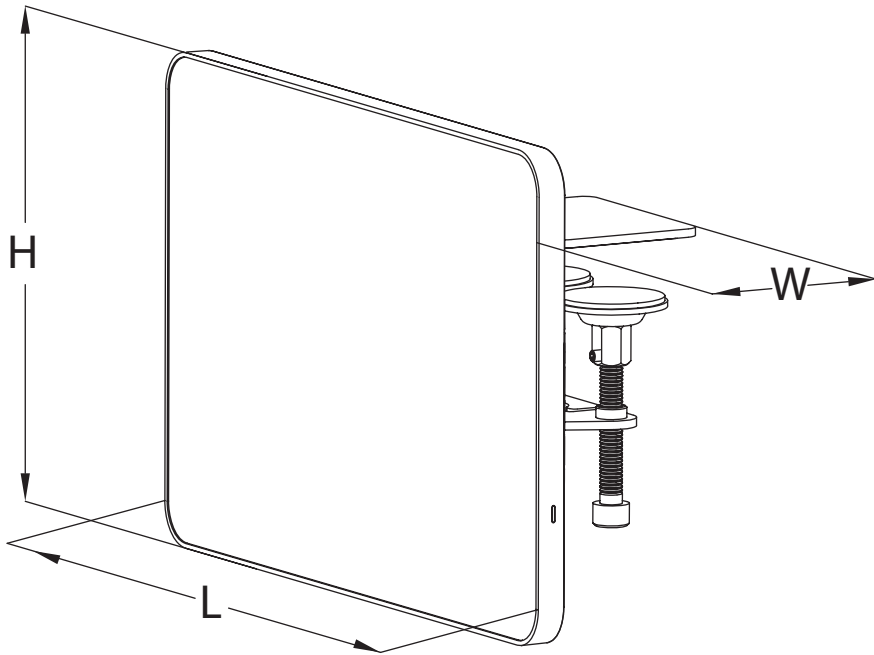
For further information or support, please contact support@i-display.com

i DISPLAY

Interactive Digital Displays

Product Specification

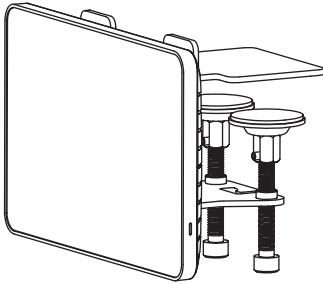
L X W X H mm



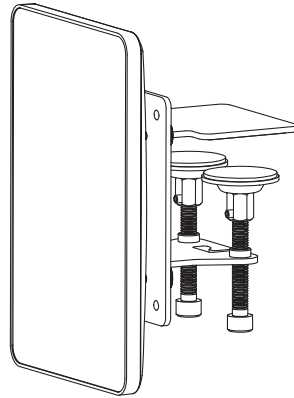
For further information or support, please contact support@i-display.com

i DISPLAY

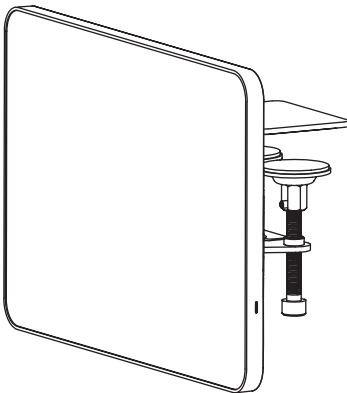
Interactive Digital Displays



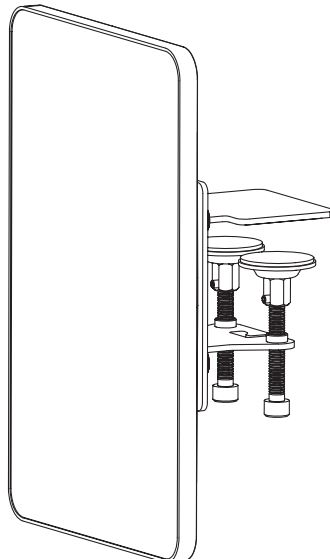
7" horizontal position
190 X 117 X 122



7" vertical position
122 X 117 X 190



10.2" horizontal position
270 X 120 X 179



10.2" vertical position
179 X 120 X 270

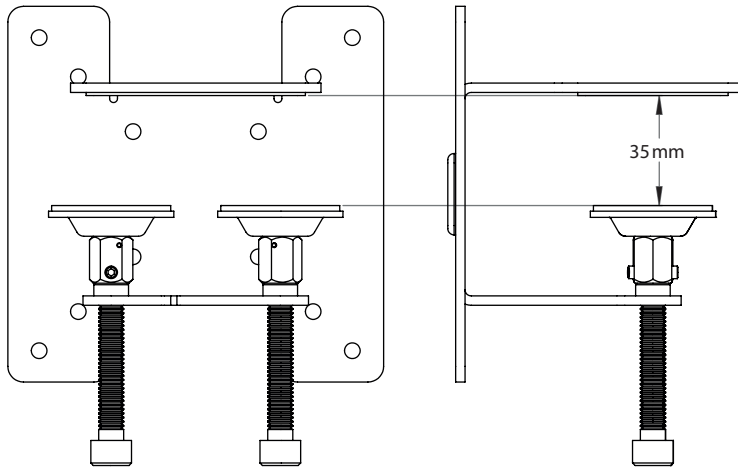
The Shelf Clip can support other tablet sizes.

For further information or support, please contact support@i-display.com

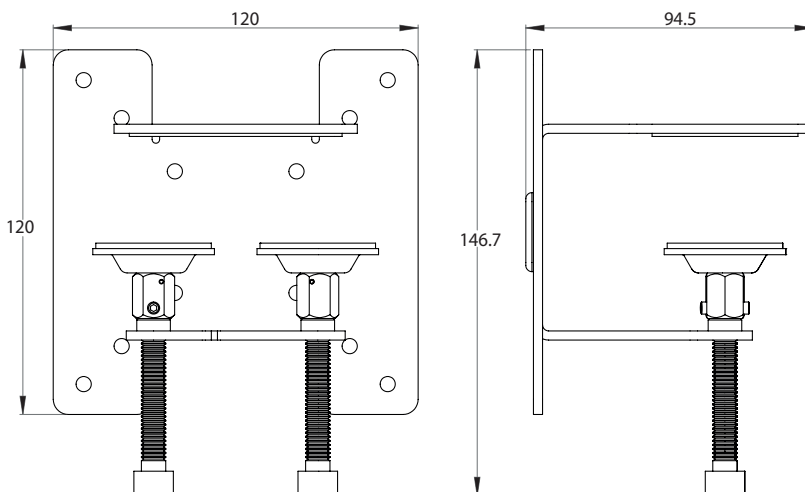
i DISPLAY

Interactive Digital Displays

Maximum Clip opening 35mm



Shelf Clip General Dimensions

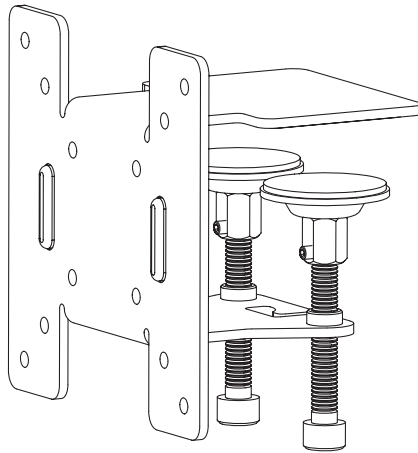


For further information or support, please contact support@i-display.com

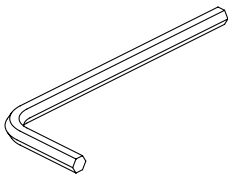
i DISPLAY

Interactive Digital Displays

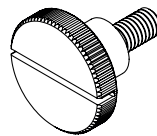
Components



Shelf clip



Allen wrench



thumb screw (4pc)

For further information or support, please contact support@i-display.com

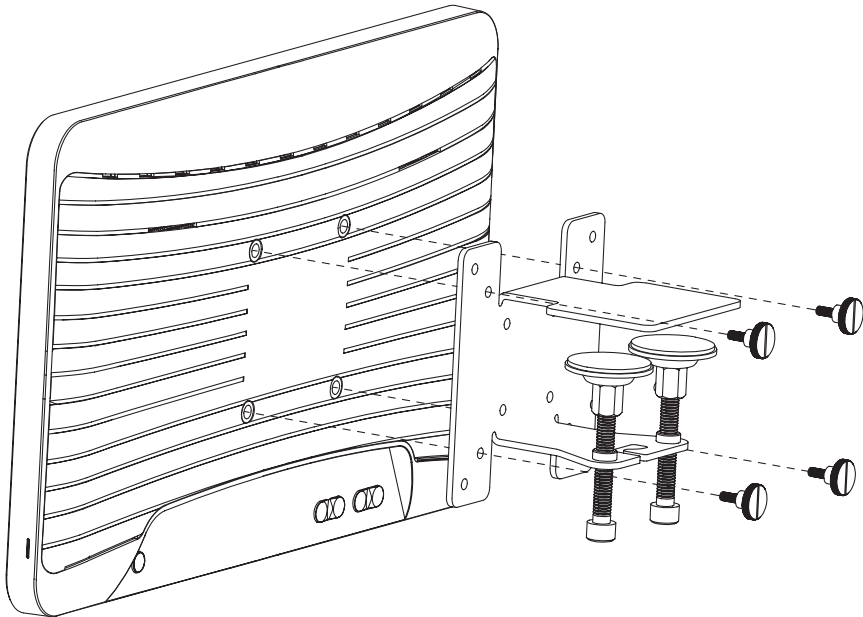
i DISPLAY

Interactive Digital Displays

Assembly Instructions

Step 1

Use 4 screws to affix the shelf clip to the Retail Tablet or Advertising Display



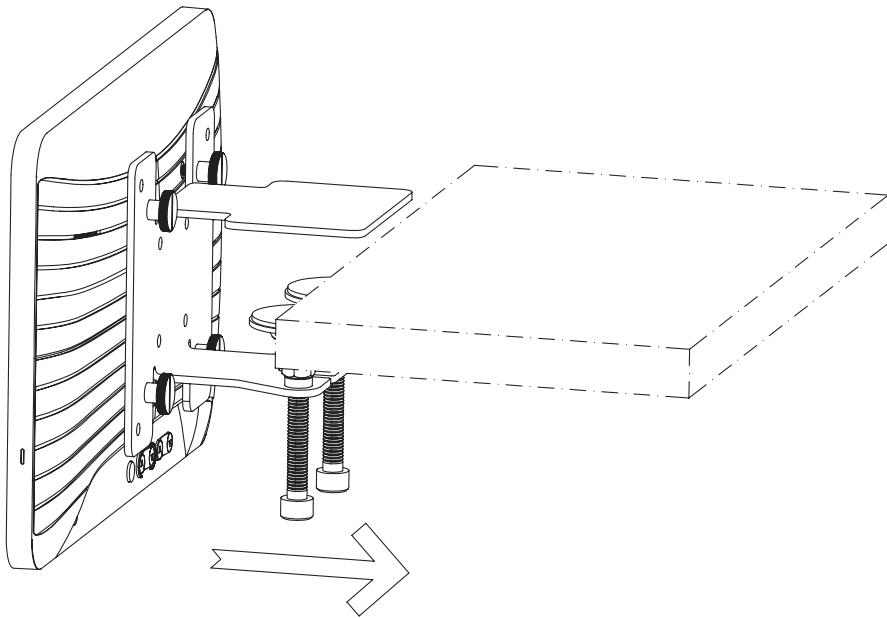
For further information or support, please contact support@i-display.com

i DISPLAY

Interactive Digital Displays

Step 2

Affix the assembled retail tablet or advertising display to the shelf of your choosing



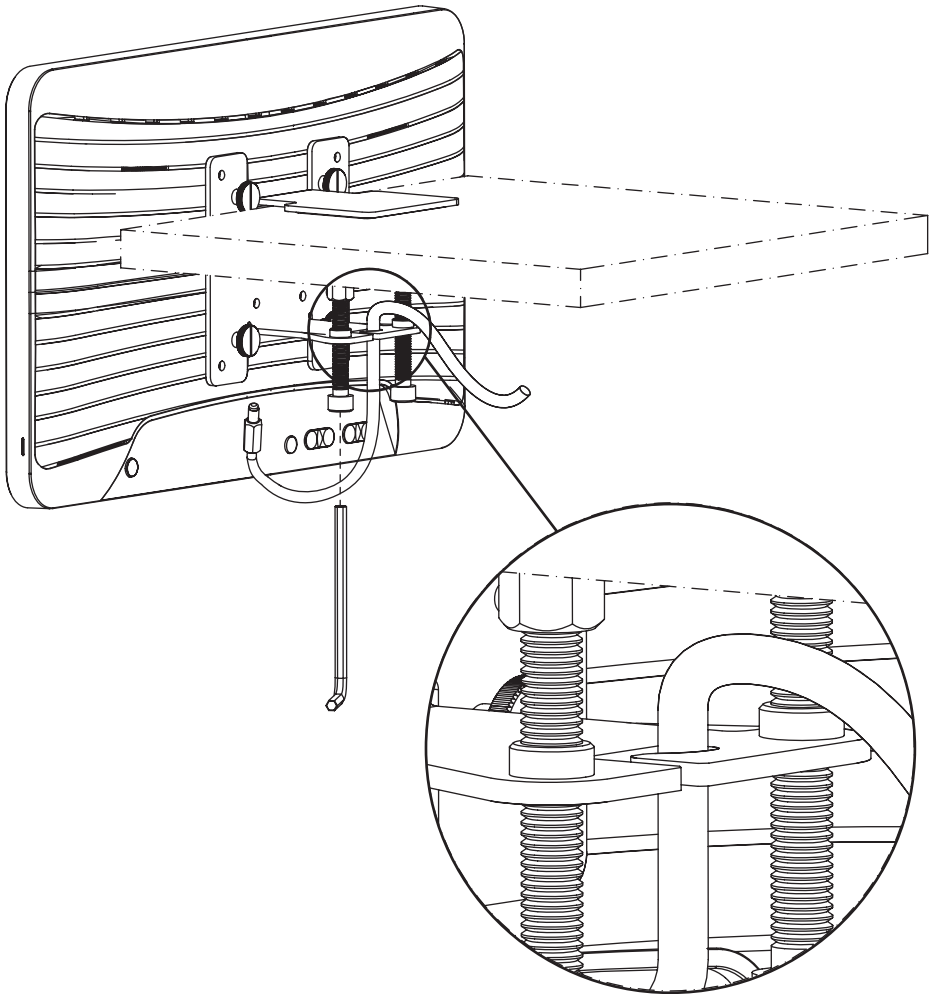
For further information or support, please contact support@i-display.com

i DISPLAY

Interactive Digital Displays

Step 3

Use the Allen screw driver to tighten the screws below. Additionally, you can insert the Power cord through the shelf clip if desired



For further information or support, please contact support@i-display.com