



**Home Automation, Inc.**

**Model 53A00-1**

**OmniTouch 5.7 Touchscreen  
with Video**

**Installation Manual**

**Document Number 53100-1 Rev A  
June, 2007**

## **FCC NOTICE**

This device complies with FCC Rules Part 15. Operation is subject to the following two conditions: (1) This device may not cause harmful interference, and (2) This device must accept any interference received, including interference that may cause undesired operation.

Verified to comply with the limits of a Class B digital device pursuant to Part 15 of the FCC Rules.

## PLANNING

It is very important to plan where the OmniTouch 5.7 Touchscreen will be installed and the gauge/type of wire you will use for the installation. The touchscreen can be connected directly to the HAI controller if video is not being used. However, if video is being used, the touchscreen must be connected to the HAI Touchscreen Hub. The HAI Touchscreen Hub can also be used if you are connecting multiple touchscreens (up to 8).

In selecting a place to mount the touchscreen, be sure to avoid an area where studs, plumbing, or electrical wiring may be located behind the wallboard. It should be mounted so that the display is at or slightly above eye level.

### Wiring to the HAI Controller

When connecting the touchscreen directly to the HAI controller, run the power/communications cable (as determined by Table 1) from the controller location to touchscreen location. A minimum of 4 wires is required for operation (2 for power and 2 for communications). The required distance between the controller and the touchscreen will determine the wire gauge/type you should use. To prevent the touchscreen from drawing more than the specified maximum current from the controller's power supply, do not exceed the "Maximum Cable Length" based on the wire gauge/type per the table below (Table 1).

MAXIMUM CABLE LENGTH BASED ON WIRE GAUGE / TYPE				
Wire Gauge	Solid/ Stranded	Number of positive conductors	Number of ground conductors	Maximum Cable Length (feet)
24	solid	1	1	113
24	solid	2	2	227
24	solid	3	3	340
22	solid	1	1	180
22	solid	2	2	360
22	stranded	1	1	166
20	solid	1	1	287
20	stranded	1	1	267
18	solid	1	1	456
18	stranded	1	1	420
16	solid	1	1	724
16	stranded	1	1	669

**Table 1**

If cable with multiple conductors is used (such as Cat-5 cable), it is possible to connect multiple conductors together to achieve greater distance. For example, using only one of the 24 gauge conductor in the Cat-5 cable for power (1 for positive and 1 for ground), the maximum distance between the controller and the touchscreen is 113 feet. If you were to connect 2 of the 24 gauge conductors together (2 for positive and 2 for ground), the maximum distance between the controller and the touchscreen is then 227 feet. If you were to connect 3 of the 24 gauge conductors together (3 for positive and 3 for ground), the maximum distance between the controller and the touchscreen is then 340 feet.

### **Wiring to the HAI Touchscreen Hub**

When connecting the touchscreen to the HAI Touchscreen Hub, a Cat-5 (4-pair) cable is required for operation. The Cat-5 cable provides power, communications, and the video signal from the HAI Touchscreen Hub to the touchscreen.

Run the Cat-5 cable between the HAI Touchscreen Hub location and the touchscreen location. The maximum distance between the controller and each touchscreen is 800 feet. Terminate both ends of the Cat-5 cable with an 8-position modular connector (as if to make a standard network cable).

**Note:** When calculating the distance between the Touchscreen Hub and a touchscreen, you must subtract the distance between the Touchscreen Hub and the HAI controller from the total distance. For example, if the Touchscreen Hub is 100 feet from the controller, the maximum distance between the Touchscreen hub and each touchscreen is 700 feet.

### **CONNECTING TO THE HAI TOUCHSCREEN HUB**

When used, each OmniTouch Touchscreen connects to the HAI Touchscreen Hub. The HAI Touchscreen Hub provides power, communications, and the video signal to the touchscreen.

Each HAI Touchscreen Hub can support a maximum of 8 touchscreens.

**Note:** When more than 8 OmniTouch Touchscreens are used, a second HAI Touchscreen Hub with Video Encoder (if video is being used) is required. See the HAI Touchscreen Hub Installation Manual for more details.

### **Connections:**

When connecting a touchscreen to the HAI Touchscreen Hub, insert the 8-position modular cable, coming from the touchscreen, into one of the RJ-45 connectors (J1-J8) on the HAI Touchscreen Hub.

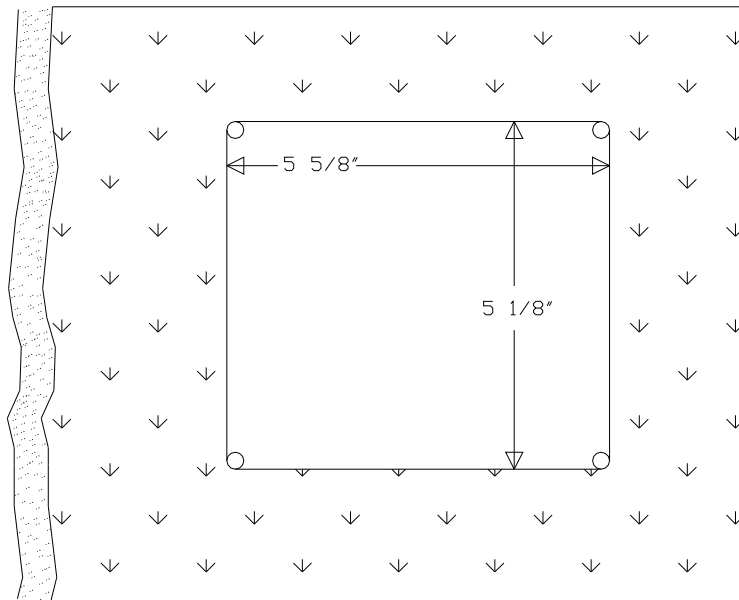
See the HAI Touchscreen Hub Installation Manual for complete installation instructions.

## INSTALLATION

### 1) Make the cutout for the touchscreen

Hold the template (Installation Template – 53A10-1) against the wall so the top edge is at the appropriate height and parallel to the floor. Using a Punch, or similar instrument, punch through the center of each tick mark (+) on the template.

Drill a 1/4" hole at each punch mark. Using a pencil, draw a line around the quadrant of each hole as shown as shown. Carefully cut along the pencil line.



**DO NOT OVERSIZE THIS CUTOUT!**

**Figure 1**

### 2) Remove the faceplate

Remove the faceplate from the touchscreen by grasping the top and bottom edges of the faceplate and carefully lifting it away from touchscreen backbox.

**Note:** After installation, the faceplate may be removed by placing a flat blade screwdriver in one of the slots on the bottom of the faceplate and gently lifting to release the latch on the respective side. Repeat by using the slot on the opposite side.



**Figure 2**

### 3) Remove the touchscreen assembly from the backbox

- a. Remove the two screws as shown in Figure 3 (DO NOT REMOVE THE SCREWS ON THE GREEN CIRCUIT BOARD). Retain screws for reassembly.
- b. Remove the touchscreen assembly as shown in Figure 3.

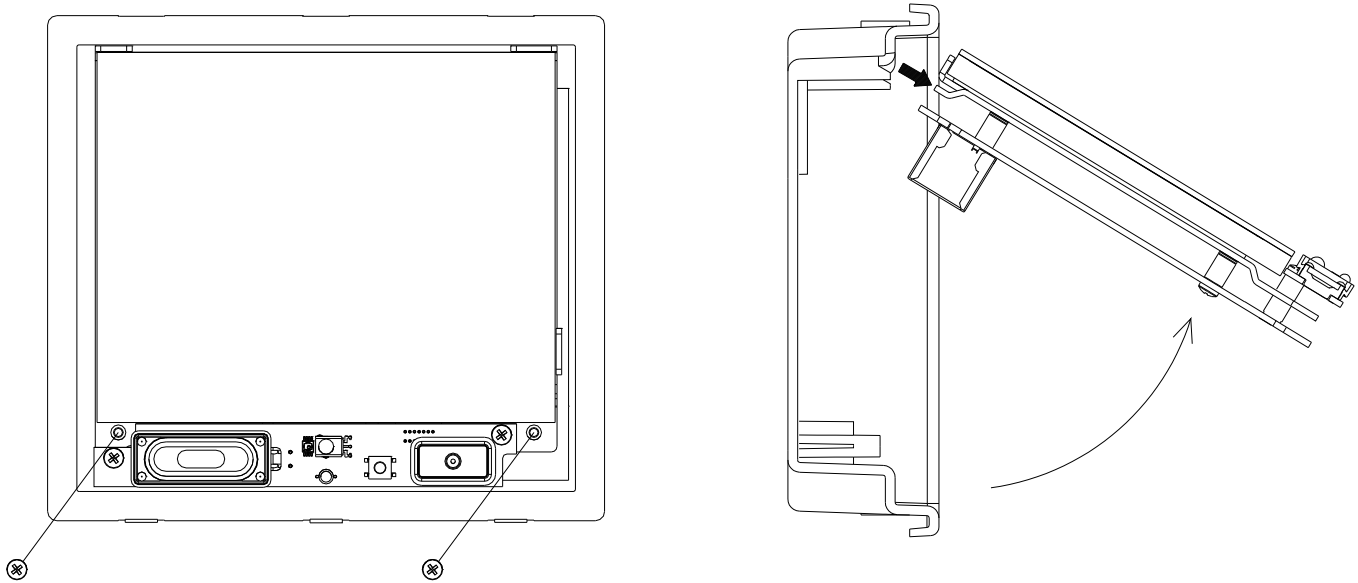


Figure 3

### 4) Install the backbox into the cutout in the wall

- a. Insert the communications cable through the rectangular cutout in the touchscreen backbox.
- b. Locate the retaining flange screws in the upper right and lower left corners. Turn the screws counterclockwise until the gap between the retaining flange and the housing flange is wider than the wall (see Figure 4).

TOUCHSCREEN BACKBOX  
TOP VIEW

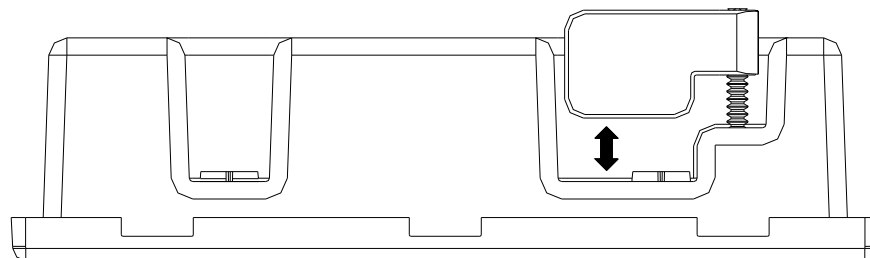
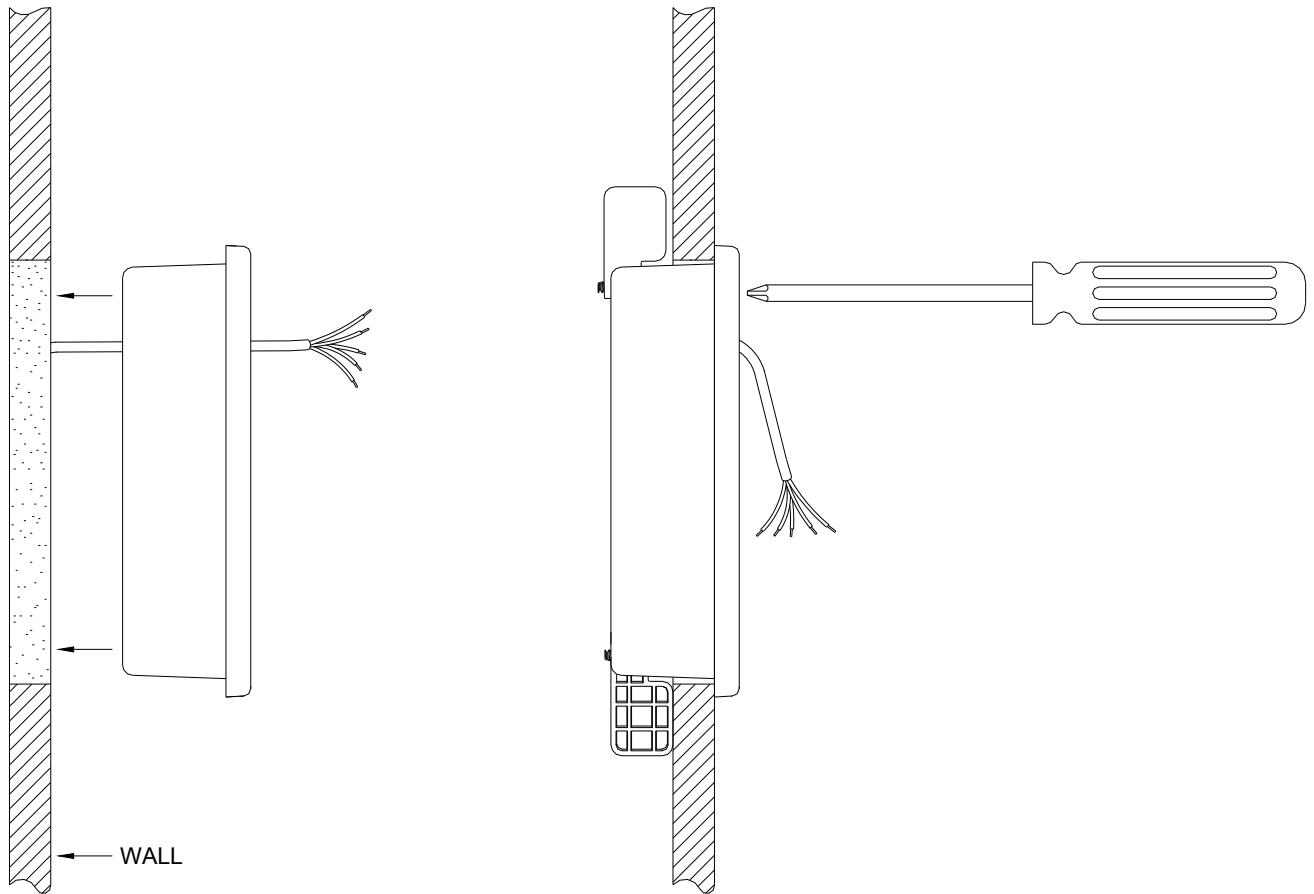


Figure 4

- c. Place the assembled unit into the cutout in the wall.
- d. Turn the retaining flange screws clockwise until they are snug (do not over tighten).



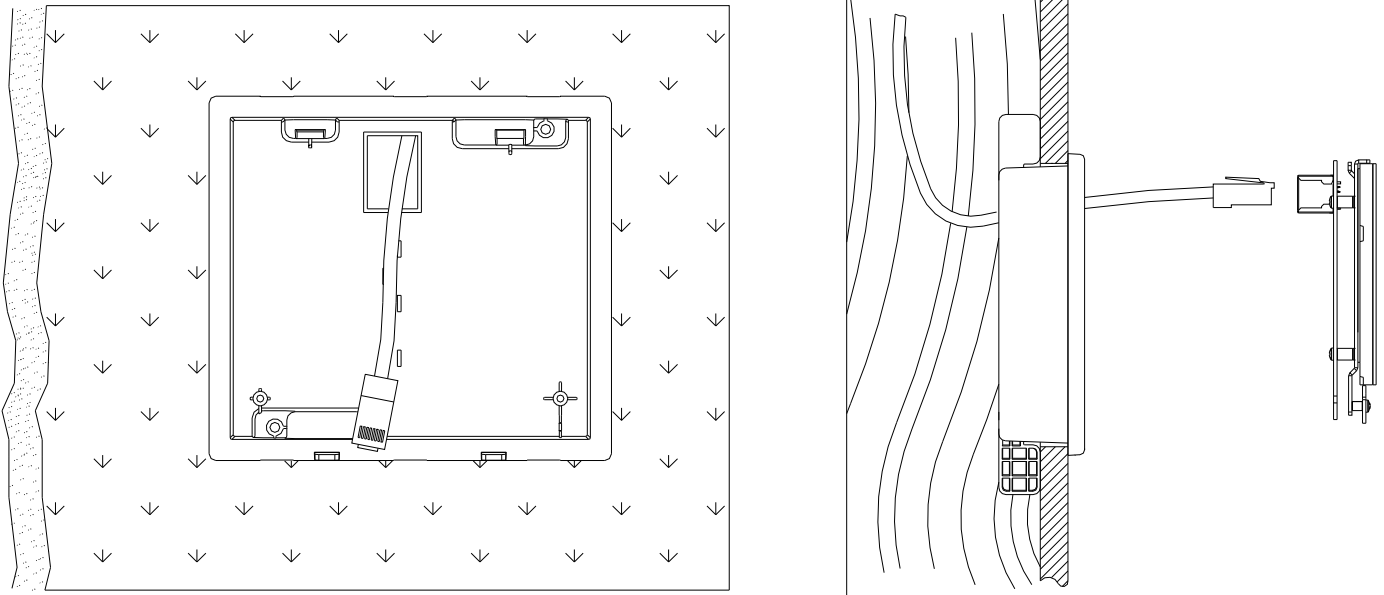
**Figure 5**

## **5) Terminate the communications cable**

- a. When connecting the touchscreen directly to the HAI controller, use the supplied 8-position modular cable assembly. Attach the wires coming from the controller to the supplied cable assembly using the supplied wire splice connectors.
- b. When connecting the touchscreen to the HAI Touchscreen Hub, terminate the cable with an 8-position modular connector (as if to make a standard network cable).

## **6) Connect the communications cable to the touchscreen**

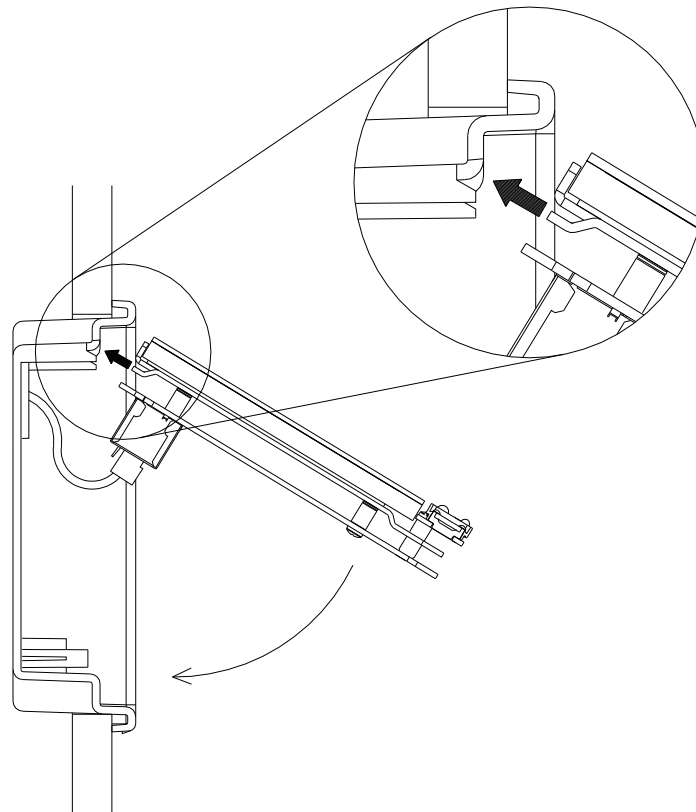
Insert the 8-position modular cable into the RJ-45 connector (J1) on the touchscreen, through the cutout in the touchscreen backbox (see Figure 6).



**Figure 6**

**7) Install the touchscreen assembly**

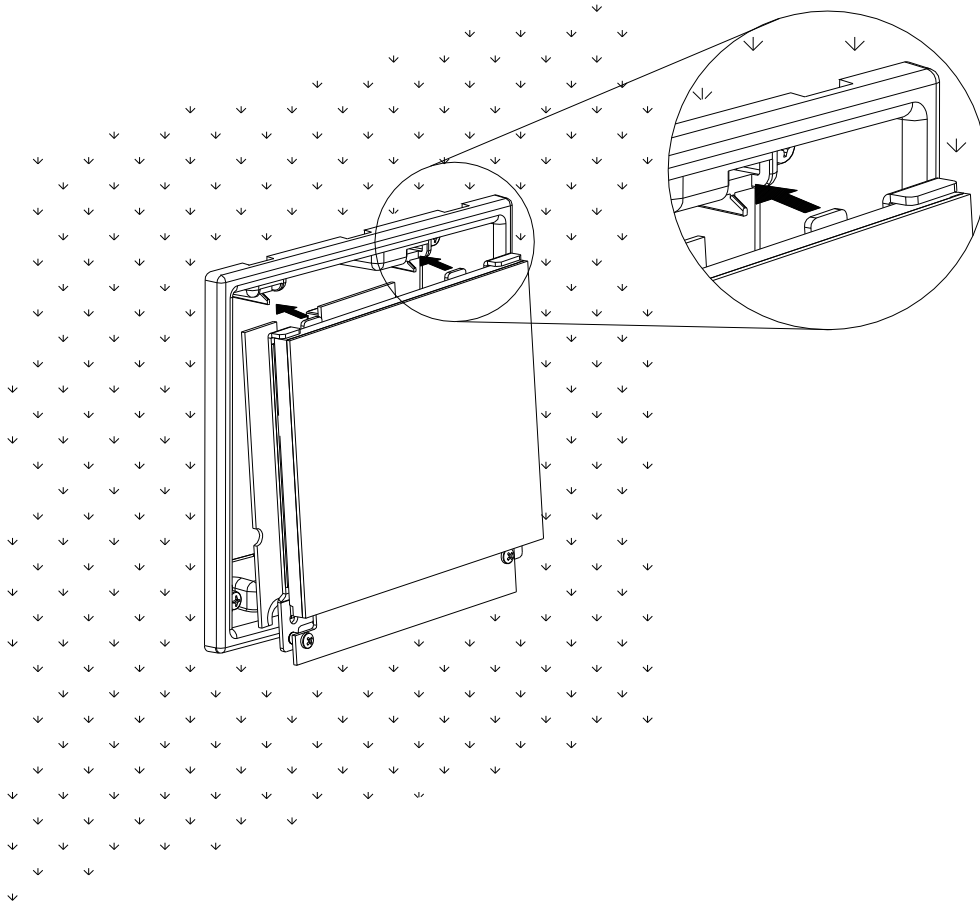
- a. Align the tabs on the touchscreen assembly with the slots on the backbox.



**Figure 7**



- b. Swing the touchscreen assembly in place and secure to backbox using screws that were removed in Step 3.



**Figure 8**

## **8) Install the touchscreen faceplate**

Before installing faceplate, remove the protective film from the LCD area of the touchscreen. Fasten the faceplate onto the touchscreen by hanging the top of the faceplate on the top edge of the touchscreen, then gently snapping the bottom onto the touchscreen.

## **REMOVING THE TOUCHSCREEN**

After installation, if it is necessary to remove the touchscreen from the wall, turn retaining flange screws 1 turn counterclockwise.

**Note:** Do not turn the retaining flange screws more than 1 full turn counterclockwise; otherwise the retaining flange may fall off into the wall.

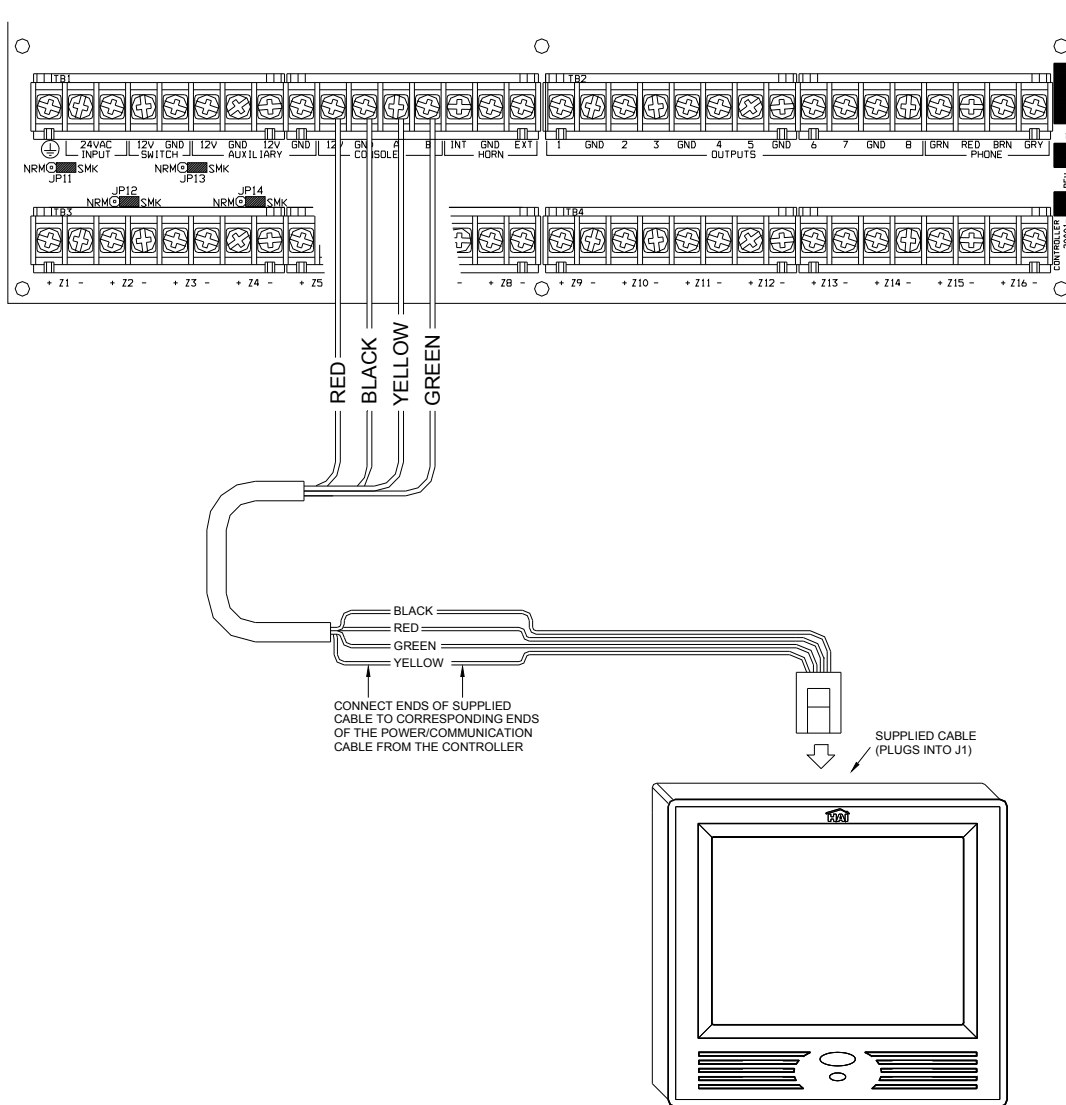
## CONNECTING TO OMNI IIe, LUMINA, OMNIPRO II, AND LUMINA PRO

Connect the "Yellow" and "Green" wires from the touchscreen to the "A" and "B" terminals under the section marked "CONSOLE" on the controller, respectively. Connect the "Red" and "Black" wires from the touchscreen to the "12V" and "GND" terminals under the section marked "AUXILIARY" on the controller, respectively.

A maximum combination of 8 touchscreens and consoles can be used with Omni IIe or Lumina and a maximum combination of 16 with OmniPro II or Lumina Pro.

**NOTE: Do not exceed the maximum current limitation of the controller. If more than 2 touchscreens are used, the additional touchscreens must be powered from an external power supply or HAI Touchscreen Hub.**

**THE EXTERNAL POWER SUPPLY MUST BE GROUNDED TO THE CONTROLLER EARTH GROUND TO AVOID DAMAGE TO THE TOUCHSCREEN.**



## Omni IIe, Lumina, OmniPro II, and Lumina Pro Connections

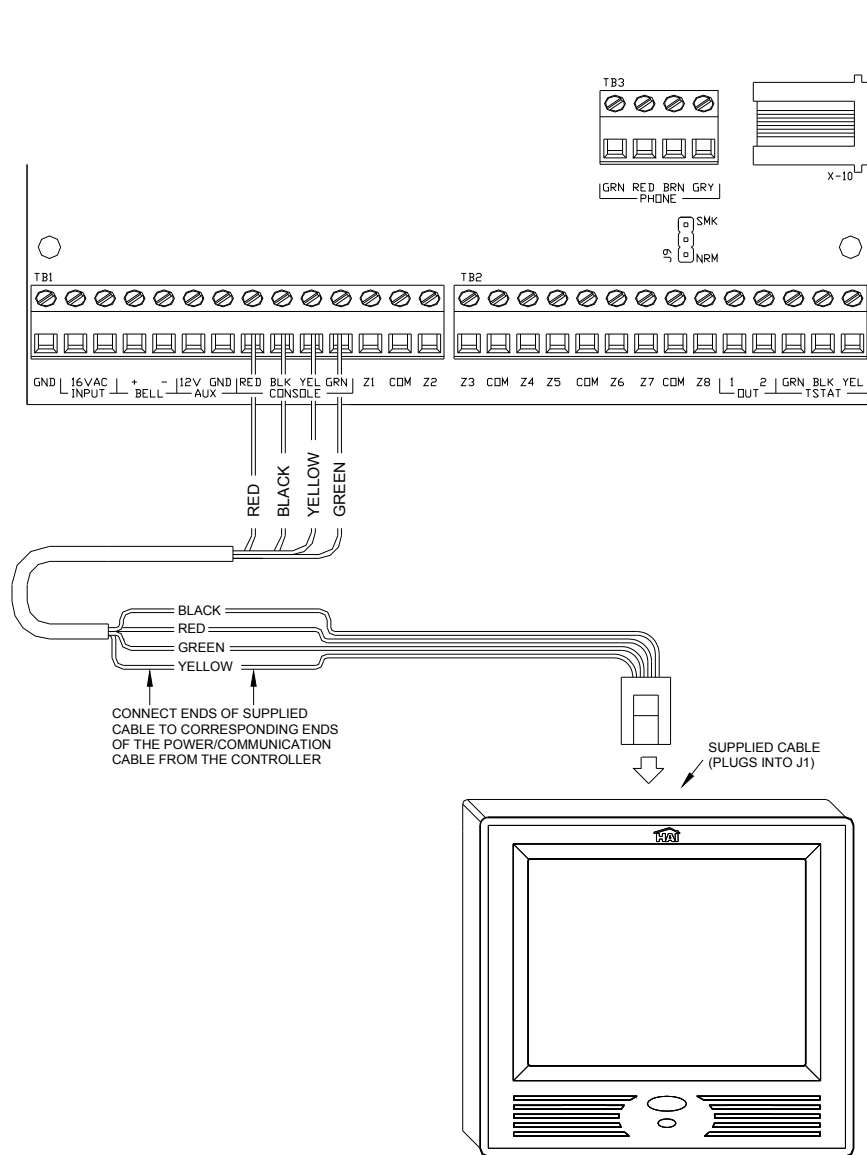
## CONNECTING TO OMNILT

Connect the "Yellow" and "Green" wires from the touchscreen to the "YEL" and "GRN" terminals under the section marked "CONSOLE" on the controller, respectively. Connect the "Red" and "Black" wires from the touchscreen to the "12V" and "GND" terminals under the section marked "AUX" on the controller, respectively.

A maximum combination of 4 touchscreens and consoles can be used with OmniLT.

**NOTE: Do not exceed the maximum current limitation of the controller. If more than 1 touchscreen is used, the additional touchscreens must be powered from an external power supply or HAI Touchscreen Hub.**

**THE EXTERNAL POWER SUPPLY MUST BE GROUNDED TO THE CONTROLLER EARTH GROUND TO AVOID DAMAGE TO THE TOUCHSCREEN.**



## OmniLT Connections

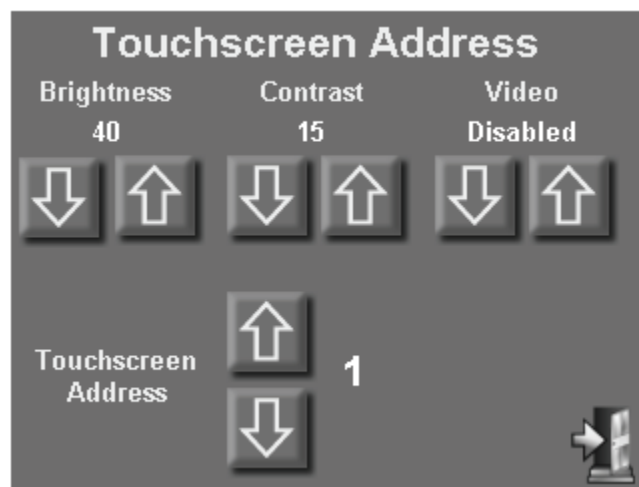
## ADDRESSING THE TOUCHSCREEN

OmniTouch touchscreens are connected to the same communications bus as HAI consoles. Each console and touchscreen must have a unique address. The default address setting of the touchscreen is "1".

When power is first connected to the touchscreen, if the touchscreen isn't addressed properly (other consoles or touchscreens already occupy the touchscreen address) or isn't communicating with the controller, the following page is displayed.



To assign an address to the touchscreen, press and hold the HAI logo for three seconds. The "Touchscreen Address" page is displayed.



This page allows the installer to adjust the brightness and contrast of the touchscreen, enable or disable video, and assign the touchscreen address.

## **Brightness and Contrast**

Press the [up arrow] button to raise the current brightness or contrast setting. Press the [down arrow] button to lower the current setting.

## **Video**

If the touchscreen is connected to the HAI Touchscreen Hub with Video Encoder, press the [up arrow] button to enable video on the touchscreen. If not, press the [down arrow] button to disable video.

When Video is enabled, the Video icon will be displayed on the Home page. If it is disabled, the Setup button will be displayed instead.

## **Touchscreen Address**

Use the [up arrow] and [down arrow] buttons to set the touchscreen address.

When complete, press the [exit] button in the lower-right corner to save the settings and exit.

Once the touchscreen is properly configured and communicating with the controller, other configuration items may be configured using the "Screen Setup" page. To access the "Screen Setup" page, from the Home page (if Video is disabled) or the System page, touch the [Setup] icon. See the Touchscreen User's Guide (53R00-1) for additional information on these items.

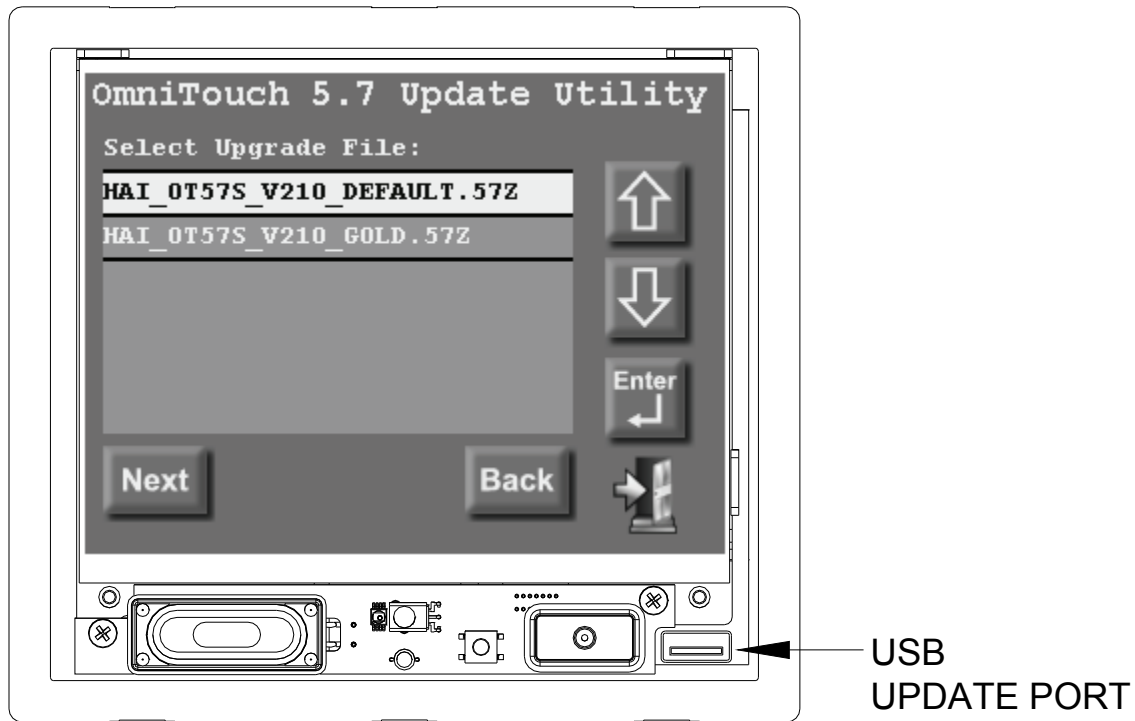
**Note:** In the event of an AC Power failure and the HAI controller is running on backup battery power, the touchscreen display will be lowered to its lowest viewable setting. Do not try to adjust the "brightness" and "contrast" levels. When AC Power is restored, the touchscreen display will automatically return to its correct settings.

## **RESETTING THE TOUCHSCREEN**

If for any reason the touchscreen needs to be reset, remove the faceplate and press the reset button marked "SW1" on the circuit board to the right of the LED.

## UPDATING THE TOUCHSCREEN

The USB Update Port on the OmniTouch 5.7 allows you to update the touchscreen with the latest firmware and screens. This allows you to take advantage of new touchscreen features and new screens that support features of updated controller firmware. The Update Port is a USB port in the lower right section of the touchscreen.



Load the update file on a USB thumb drive. Plug the thumb drive into the USB Update Port on the OmniTouch 5.7 Touchscreen. When the USB drive is plugged into the port, the touchscreen will read the files on the root directory of the drive and display any applicable update files.

Select the desired file from the list and then press the “Next” button. Follow the instructions on the screen.

## SPECIFICATIONS

### Size:

Backbox cutout: 5.625" W x 5.125" H  
Faceplate: 6" W x 5.5" H  
LCD View Area: 4.626" W x 3.492" H

### Voltage:

Operating Voltage: 10 – 24 VDC

### Maximum Current Consumption at 12 VDC:

300 mA based on Maximum Cable Length as defined in "Table 1"

### Maximum Current Consumption at 24 VDC:

200 mA based on Maximum Cable Length of 800 feet

Maximum CAT-5 Cable Length AT 24 VDC: 800 feet

