

Specifications

Frequency Response (20Hz - 20kHz)	±0.25dB @ 300 ft. CAT5
THD	.015% 20Hz - 20kHz
Signal to Noise	>90dB @ 300 ft. CAT5
Power Supply	12V/5W DC 100-240VAC
Network	NuVoNet
iPod Dock Dimensions	3 1/4" W x 2 1/2" D x 2 1/4" H 81.28mm x 63.5mm x 57.15mm
iPod Dock Weight	.4 lbs (.18 kg)
NV-RIPR-DC Dimensions	1 13/16" W x 1 3/8" D x 4 5/8" H 45.72mm x 33.02mm x 118.11mm
NV-RIPR-DC Weight	.15 lbs (.068 kg)
NV-RJ45P-DC Dimensions	1 13/16" W x 1 3/8" D x 4 5/8" H 45.72mm x 33.02mm x 118.11mm
NV-RJ45P-DC Weight	.15 lbs (.068 kg)
Shipping Dimensions	8" W x 5 3/8" D x 8 5/8" H 205mm x 135mm x 220mm
Shipping Weight	2.0 lbs (.90 kg)

Package Contents

1 NV-RIPD	Remote iPod Dock for Concerto NV-I8GMS
1 NV-RIPR-DC	Decora* Remote iPod Receiver for Concerto NV-I8GMS
1 NV-RJ45P-DC	Decora RJ45 Connection Plate
1 NV-PSW12A	Universal Power Supply including USA, UK, EU, AU adaptors
2 NV-CCA10W	10 foot CAT5 Cable
1 NV-CMR6B	6 foot 3.5mm Mini to RCA Stereo Audio Cable

*Decora® is a registered trademark of the Leviton Corporation

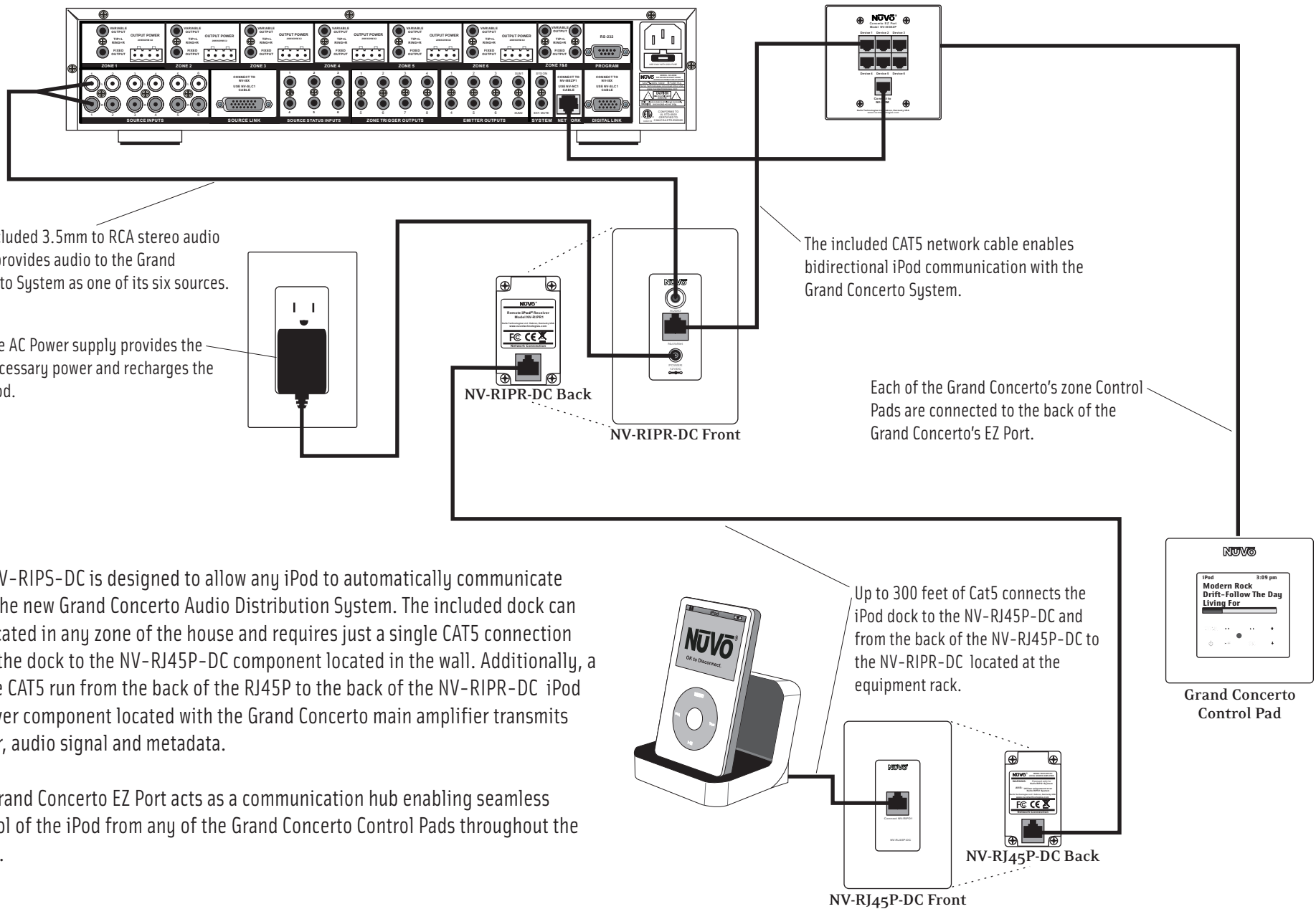
NuVo®



NV-RIPS Remote iPod Dock System Installation Guide

NuVo Technologies
2395 Arbor Tech Dr., Hebron, KY 41048
859-817-7200
www.nuvotechnologies.com

NV-RIPS Remote iPod Dock System



The included 3.5mm to RCA stereo audio cable provides audio to the Grand Concerto System as one of its six sources.

The AC Power supply provides the necessary power and recharges the iPod.

The included CAT5 network cable enables bidirectional iPod communication with the Grand Concerto System.

Each of the Grand Concerto's zone Control Pads are connected to the back of the Grand Concerto's EZ Port.

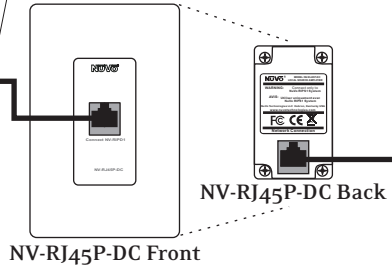
The NV-RIPS-DC is designed to allow any iPod to automatically communicate with the new Grand Concerto Audio Distribution System. The included dock can be located in any zone of the house and requires just a single CAT5 connection from the dock to the NV-RJ45P-DC component located in the wall. Additionally, a single CAT5 run from the back of the RJ45P to the back of the NV-RIPR-DC iPod receiver component located with the Grand Concerto main amplifier transmits power, audio signal and metadata.

The Grand Concerto EZ Port acts as a communication hub enabling seamless control of the iPod from any of the Grand Concerto Control Pads throughout the home.

Up to 300 feet of Cat5 connects the iPod dock to the NV-RJ45P-DC and from the back of the NV-RJ45P-DC to the NV-RIPR-DC located at the equipment rack.



Grand Concerto Control Pad



NV-RJ45P-DC Front

NV-RJ45P-DC Back

NV-RIPR-DC Back

NV-RIPR-DC Front