

# NÜVÖ™

The Sound of LiVing.



**AccentPLUS2**

In-Wall & In-Ceiling Architectural Speakers  
Installation Manual

## AccentPLUS2 Speaker Installation Manual

Congratulations on your purchase of the NuVo AccentPLUS2 architectural speakers. The AccentPLUS2 are designed for the best audio distribution systems on the market. High quality components, such as Dupont™ Kevlar® cones, and pivotal titanium tweeters, provide superior performance at a very affordable price. The AccentPLUS2 speakers meet the demands of today's discriminating homeowners.

### Speaker Placement

Proper placement of the speakers is crucial to enjoying the benefits of the AccentPLUS2 speakers. Consider the optimal listening area in the room. The speakers should ideally be placed facing that area with 8 - 10 feet of separation. In-wall placement of the speakers should be at ear level or just slightly higher, and in-ceiling mounting should be placed to the left and right of the optimal listening area, Fig 1.

In existing construction, care should be taken to not conflict with other wiring, heat ducts, or water lines. For new construction, the AccentPLUS rough-in brackets can be placed between studs and ceiling joists as a cutout template for the drywall installation.

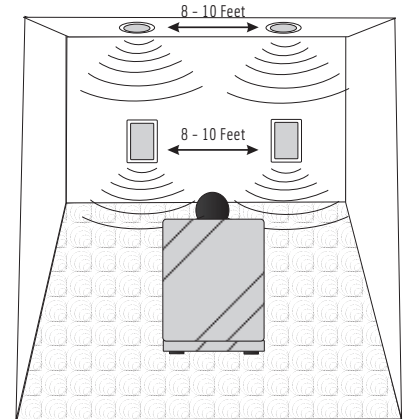


Fig 1.

### Installation

Once the best possible location for the speakers has been determined, use a stud finder to locate the studs. Leave enough clearance from the studs to allow the mounting “dog-ears” to properly clamp down to the drywall. Using the provided template, trace a line for the cutout, Fig 2.

In existing wall installations it is a good idea to drill a hole in the center of the penciled cutout to make certain that there are no obstructions behind the location before cutting the hole with a drywall saw Fig. 3.

If the area behind the speaker is not already insulated add enough insulation to fill the cavity. Face foil or paper backing away from the speaker.

We recommend the use of 16-gauge speaker wire either two or four conductor (note that most distributed audio systems are not designed to accept larger than 14 gauge wire). The speaker wire should be pulled through the cutout for the speaker installation.

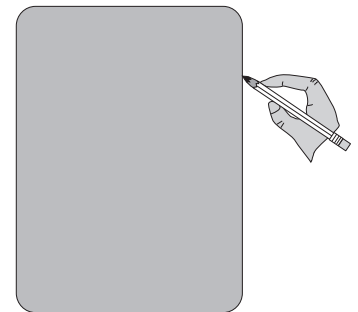


Fig 2.

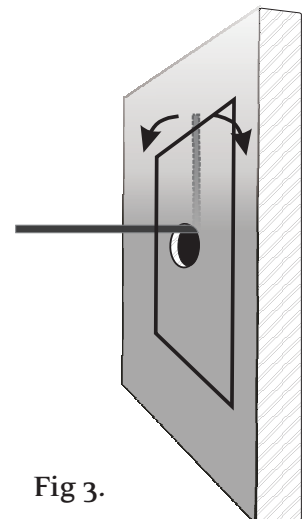


Fig 3.

## Installation (Continued)

Strip 1/4 inch of insulation from the speaker wire, and while pressing down on the terminal post, insert each conductor into the appropriate terminal, Fig 4. Red is positive, and black is negative. Some speaker wire denotes the positive lead with a dark line running through the insulation.

Once the speaker wire is connected to the speaker, center the speaker in the cutout and secure it by turning the mounting screws clockwise until the “dog ears” hold the speaker snug against the drywall. Be careful not to over tighten the “dog ears” Fig 5.

When the speaker is in place you can, if desired, position the pivotal tweeter so it is directed toward the listening area of the room, Fig 6. Install the grill by placing it over the speaker and applying pressure around the outside edge. Avoid pressure over the center of the grill.

## Painting the Speaker

If desired, the speaker grill and trim can be painted to match the wall color. Each speaker is shipped with a clear plastic paint plug designed to protect the inner components of the speaker during the painting process. Always remove the grill from the speaker prior to painting. The AccentPLUS2 speakers have a micro-perforation grill. To prevent the paint from filling the holes of the grill and interfering with the speaker's sound distribution, the paint should be thinned at a ratio of 5 to 1 and sprayed on the grill.

For best results, we suggest that you paint the inside of the grill, as well as the outside. The AccentPLUS2 speakers ship with a decorative fiber backing, which is easily removed for the purpose of painting.

Once the installation is complete, your speakers should be fully operational. Should you have no audio from the speakers, make sure the speaker wires did not become disconnected from the terminal posts, or that there is not a short in the speaker wire.

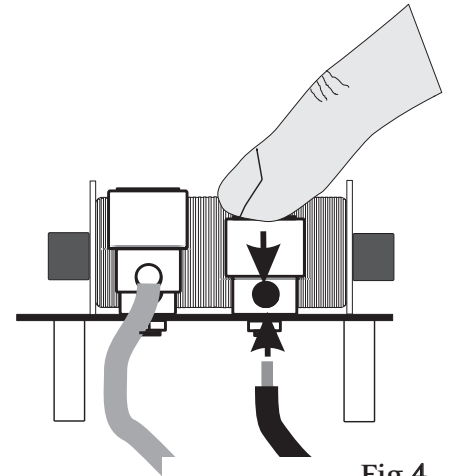


Fig 4.

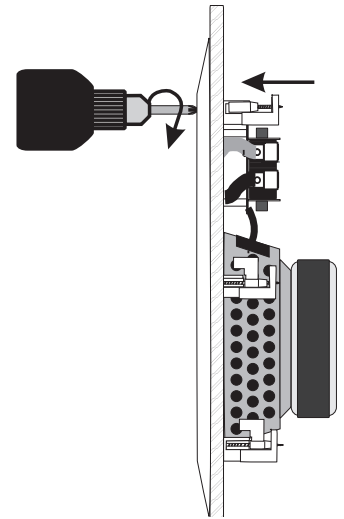


Fig 5.

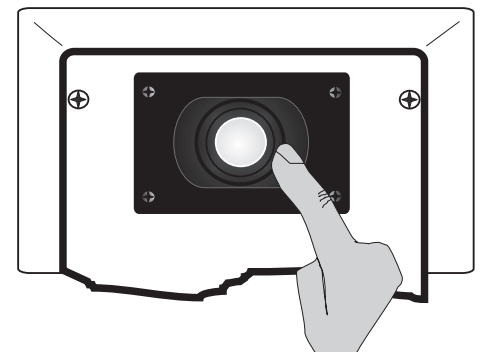


Fig 6.



## Accent PLUS<sub>2</sub>

	NV-AP26C	NV-AP26I	NV-AP26CS	NV-AP28C	NV-AP28I
<b>SYSTEM</b>					
Description:	6.5" Ceiling Speaker with Co-axial Pivoting Tweeter	6.5" In-Wall Speaker with Pivoting Tweeter	6.5" Stereo Ceiling Speaker with Dual Fixed Tweeter	8.0" Ceiling Speaker with Co-axial Pivoting Tweeter	8.0" In-Wall Speaker with Pivoting Tweeter
Power Rating:	100W	100W	100W	120W	120W
Impedance:	8 ohms	8 ohms	8 ohms x 2	8 ohms	8 ohms
Efficiency:	91dB 1W/1M	91dB 1W/1M	92dB 1W/1M	92dB 1W/1M	92dB 1W/1M
Frequency Response:	50Hz-20kHz	50Hz-20kHz	50Hz-20kHz	40Hz-20kHz	40Hz-20kHz
Tweeter Crossover:	12dB / Octave; 4kHz	12dB / Octave; 4kHz	12dB / Octave; 4kHz	12dB / Octave; 3kHz	12dB / Octave; 3kHz
Woofers Crossover:	12dB / Octave; 4kHz	12dB / Octave; 4kHz	None	12dB / Octave; 3kHz	12dB / Octave; 3kHz
Dimensions (HxW):	9" Diameter x 3 3/4" mm (228mm Diameter x 96mm)	12" x 8 3/4" (306mm x 220mm)	9" Diameter x 3 3/4" mm (228mm Diameter x 96mm)	10 3/4" Diameter x 4 3/8" (272mm Diameter x 112mm)	14 1/8" x 10" x 4" (358mm x 256mm x 101mm)
Cutout Dimensions:	8" (204mm)	11 1/8" x 7 3/4" (284mm x 198mm)	8" (204mm)	9 3/4" (248mm)	13 1/4" x 9 1/8" (336mm x 232mm)
Depth:	3" (75mm)	3" (75mm)	3" (75mm)	3 3/8" (86mm)	3 3/8" (86mm)
<b>WOOFER</b>					
Magnet:	10 oz / 80 x 30 x 15mm / Y35	10 oz / 80 x 30 x 15mm / Y35	10 oz / 80 x 30 x 15mm / Y35	20 oz / 100 x 45 x 15 / Y35	20 oz / 100 x 45 x 15 / Y35
Voice Coil:	1.0" Kapton	1.0" Kapton	1.0" Kapton	1.5" Kapton	1.5" Kapton
Cone:	DuPont™ Kevlar®	DuPont™ Kevlar®	DuPont™ Kevlar®	DuPont™ Kevlar®	DuPont™ Kevlar®
Surround:	Butyl Rubber	Butyl Rubber	Butyl Rubber	Butyl Rubber	Butyl Rubber
Dust Cover:	Polypropylene	Polypropylene	Polypropylene	Polypropylene	Polypropylene
<b>TWEETER</b>					
Magnet:	Neodymium	Neodymium	Neodymium	Neodymium	Neodymium
Dome:	20mm Titanium	20mm Titanium	2 x 13mm Mylar	25mm Titanium	25mm Titanium
Type:	Pivoting 30 degrees	Pivoting 30 degrees	Fixed Position	Pivoting 30 degrees	Pivoting 30 degrees

## Warranty

NuVo Technologies warrants this product to be free of defects in workmanship or material for a period of five (5) years from the original date of purchase. This warranty applies to the original purchaser only and is not transferable. This warranty is subject to the following conditions and exclusions:

- Defects caused by wear and tear, misuse, or neglect are not covered by this warranty.
- This warranty will be void if:
  - a. The unit has been altered or modified.
  - b. The serial number has been removed or defaced.
  - c. Original purchase is not from an Authorized NuVo Dealer.
  - d. The warranty card is not completely filled out and mailed within 10 days of the original purchase.

Neither NuVo Technologies, nor NuVo dealers are liable for any incidental or consequential damages resulting from any defect in or failure of NuVo Technologies products. This warranty gives the original owner of NuVo Technologies products specific legal rights, and he or she may also have other rights which vary from state to state. This warranty is expressly in lieu of all other agreements and warranties, expressed or implied, except as may be otherwise required by law.