

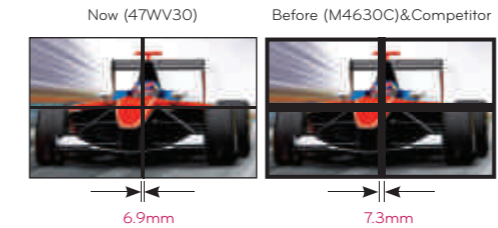


A Whole New Level in Seamless Design,  
Multi-Vision Display

## 47WV30

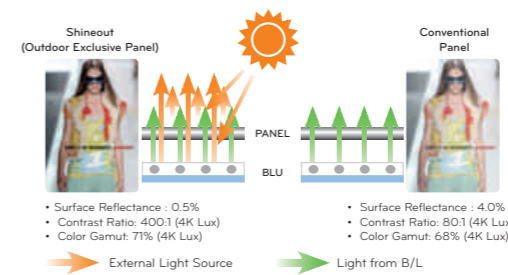
INFINITELY  
EXPANDABLE  
MULTI-VISION  
SOLUTION

### The Bigger Screen & the Slimmer Bezel



The seam size is only 6.9mm and each screen size is 47". You can make your own multi-vision with the bigger screen and the slimmer bezel.

### Shine- Out



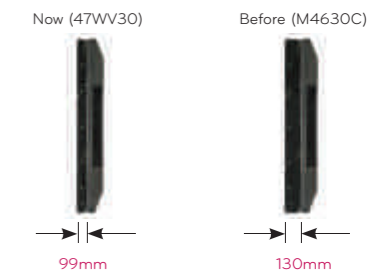
Perfect fit for window display and exhibition by reflecting away the lights for best image visibility and clearer display under direct sunlight & lightings than conventional display.

### Low Power Consumption



You can save the cost of electricity for yourself and also save the earth more clean for ourselves. With the LED back-light unit, the power consumption is innovatively reduced and hazardous materials is rarely used.

### Easy to set-up and multi-tiling



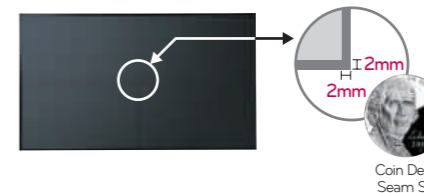
Don't worry about the place of setting multi-vision. The depth of each display is only 99mm. Now you can build multi-vision at any place, any condition. Also you can make any type of multi-vision with the infinitely expandable multi-vision solution.

## 60PJ10

VIRTUALLY  
SEAMLESS  
120" SCREEN

### Virtually Seamless 120" Screen

The seam size of one side has only 2mm. Viewers can enjoy the virtually seamless screen on the 2 X 2 120" multi-vision display. This virtually seamless design lets you watch natural screens without black lines on your video wall composition.



## MULTI-VISION DISPLAY 47WV30

- Super Narrow Bezel (seam size : 6.9mm)
- Infinitely Expandable Multi-vision Solution
- Various Interface for Daisy Chain
- Shine-out Film Adopted
  - Great picture quality at any place, even under the sunlight and lightings
- LED BLU Adopted
  - Low Power Consumption
  - Eco Friendly
- Perfect Compatibility with LG SuperSign (NC1000)



## 120" MULTI-VISION DISPLAY 60PJ10

- Seamless Design
  - Virtually Seamless 120" Screen
- Superior Picture Quality & Performances
  - 600Hz Sub Field Driving
  - 0.001ms Fast Response Time
  - Dynamic MEGA Contrast Ratio
  - Ultra Bright Panel (650 Cd/m<sup>2</sup>)
  - Wide Viewing Angle
  - Accurate Color
  - Long Life 60,000 Hours
  - Outstanding White Uniformity
- APC (Auto Picture Calibrator)
- Anti Burn-in Protection (ISM)
- Eco Friendly
  - Power Consumption on Each Load
- Perfect Compatibility
  - Perfect Compatibility with LG SuperSign (NC1000)



### SPECIFICATION

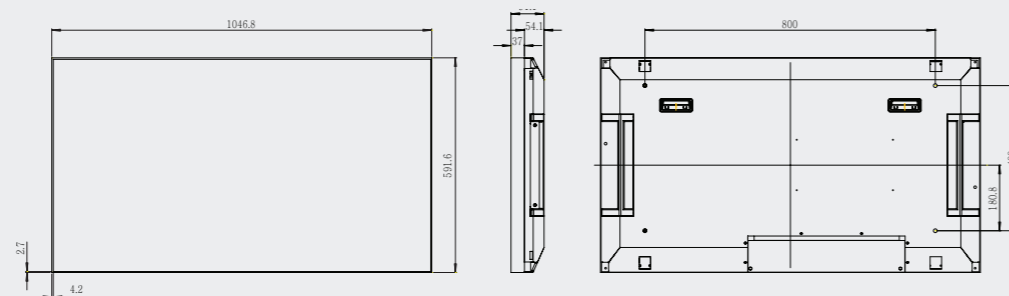
#### Panel

- Aspect Ratio : 16 : 9
- Native Resolution: 1,366×768 (HD)
- Brightness : 700cd/m<sup>2</sup>
- Contrast Ratio : 10,000:1 (DCR)
- Response Time : 9ms (G to G)
- Viewing Angle (H×V) : 178×178
- Power consumption : 220W

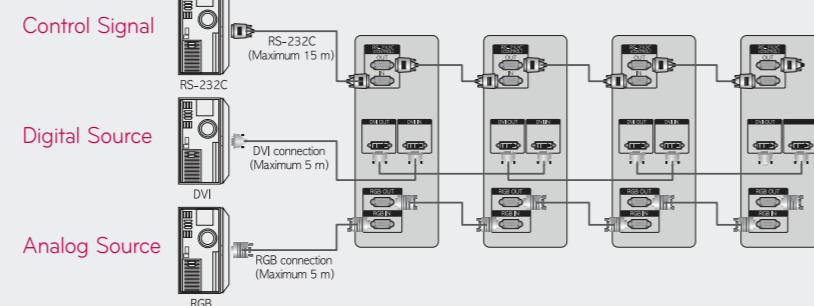
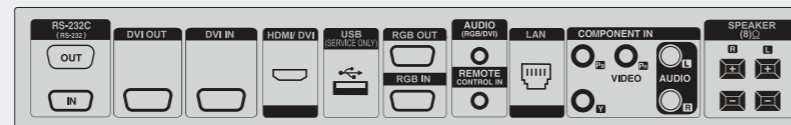
#### Audio

- Sound Mode : 5 Mode (User/Standard/Music/Cinema/Speech)
- Audio Power : 20W (10W×2)

#### Dimension



#### Interface



\* The specification could be change without prior notice.

### SPECIFICATION

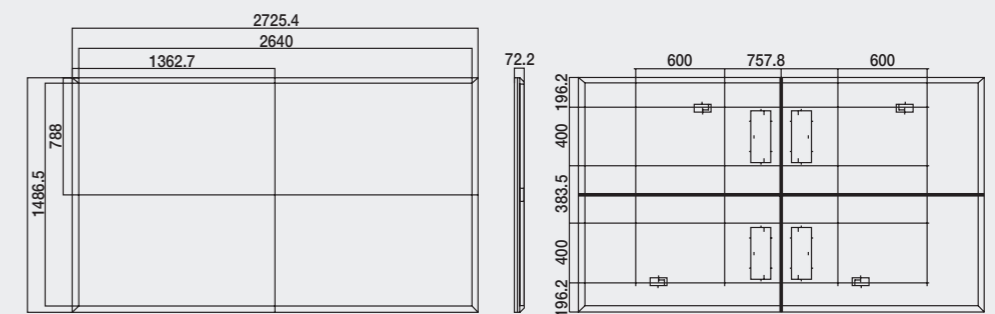
#### Panel

- Aspect Ratio : 16 : 9
- Native Resolution : 2,730 x 1,536 (WXGA)
- Brightness : 1,500 cd/m<sup>2</sup>(without screen filter) 650 cd/m<sup>2</sup>(with screen filter)
- Contrast Ratio : 1,000,000:1
- Response Time : 0.001ms
- Viewing Angle (H x V) : 179 x 179
- Power consumption : Typical 470W

#### Audio

- Sound Mode : 5 Mode (Standard/Music/Cinema/Sports/Game)
- Audio Power : 10W

#### Dimension



#### Interface

