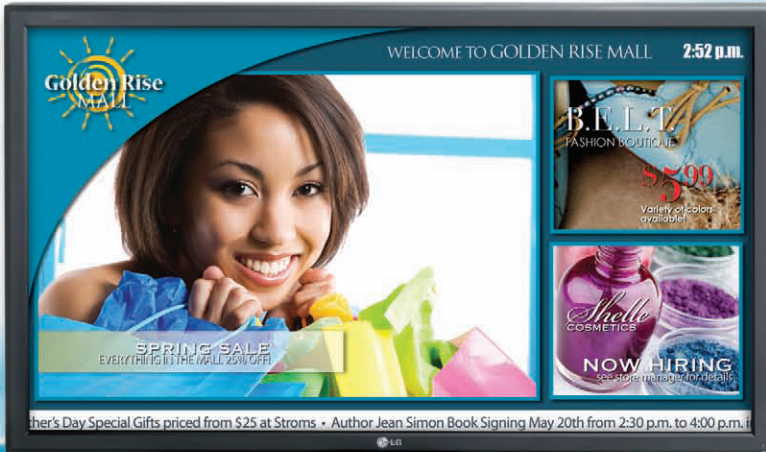


42" class (42.0" diagonal)

M4210T

Touchscreen LCD

HD Capable Monitor



3M DST TOUCHSCREEN
Fast, accurate touch response

NATIVE DISPLAY RESOLUTION
1920 x 1080 (FHD)

HIGH BRIGHTNESS
500 cd/m²

CONTRAST RATIO
1,300:1, 3000:1 (DCR)

SUPER IPS
178° Viewing Angle

VIEWING ANGLE and LIFE EXPECTANCY
Enhanced in Portrait and Landscape Mode

NARROW BEZEL
30.4mm

HDMI™/DVI WITH HDCP

RS-232C CONTROL

CONVENIENT EXTERNAL SPEAKER-OUT

ENERGY STAR® 5.0 AND RoHS COMPLIANT

INFORMATION DISPLAY FOR SERIAL NUMBER

OPTIONAL HIDDEN SPEAKERS

3-YEAR LIMITED WARRANTY
parts/labor

Offered by

KRISTEL
DISPLAYS

www.kristel.com

Touch-enabled by
3M Dispersive Signal Technology

3M

www.3M.com/touch



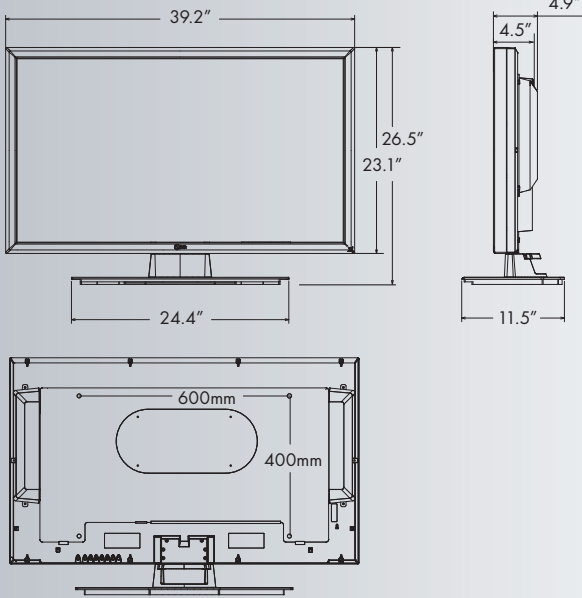
LG

Life's Good

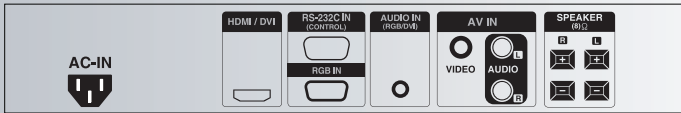
www.LGsolutions.com

M4210T 42" CLASS (42.0" DIAGONAL)

DIMENSIONS



Rear Jack Pack Panel



PANEL

LCD Panel Type	42" class
Display Area	42.0" diagonal
Aspect Ratio	16 : 9
Native Resolution	1920 x 1080 (FHD)
Pixels (H x V x 3)	6,220,800
Brightness	500 cd/m ²
Contrast Ratio	1,300:1, 3,000:1 (DCR)
Color Gamut	72%
T _{ni}	110°C
Viewing Angle (H x V)	178° x 178°
Color Depth	1.06 Billion
Response Time	10ms (G to G)
Surface Treatment	Hard Coating (3H) Anti-glare
Lifetime	50,000 Hr., Portrait & Landscape

VIDEO

Max Input Resolution	1920 x 1080 @ 60Hz (RGB, HDMI/DVI)
Recommended Resolution	1920 x 1080 @ 60Hz (RGB, HDMI/DVI)
H-Scanning Frequency	30 ~ 83kHz (RGB, HDMI/DVI)
V-Scanning Frequency	56 ~ 75 Hz (RGB), 60 Hz (HDMI/DVI)
Pixel Frequency	148.5 MHz (RGB, HDMI/DVI)
Sync Compatibility	Separate/Composite/Digital
Video Input	RGB, HDMI/DVI
Picture mode	Vivid/Standard/Cinema/Sports/Game/User1/User2
Color temperature	Warm/Medium/Cool/User

REAR INPUTS

PC Input via 15-Pin Sub "D"	1
Composite Video Input	1
Audio Inputs	1 Plus PC Sound
HDTV Formats	HDMI : 720p/1080i/1080p
HDMI/DVI with HDCP	Yes

RS-232C Input	Yes, Female-to- Female Crossed Type
External Speaker Out	Yes

AUDIO

Auto Volume	Yes
Balance	Yes
Audio Power	20W (10W x 2)
Speaker On/Off	Yes
Sound mode	Clear Voice/Standard/Music/Cinema/Sports/Game/User

SPECIAL FEATURES

New Temperature Sensor	Yes
Source Selection	Digital (HDMI/DVI)/Analog (RGB)/AV
Display Control (RS-232C)	Power On/Off, Input Select, Volume Self Diagnosis (Temp, FAN, Lamp)
Brightness/Contrast	Yes
Color	Warm/Medium/Cool/User
Position	H/V
Tracking	Auto/Clock/Phase
Set-up	Language(English/French/Spanish/Italian/German/Portuguese/Korean/Japanese/Chinese/Russian)
ISM Method	Normal/White Wash/Orbiter/Inversion/ Dot Wash
Advanced	Gamma/Film mode/Black Level/ Noise Reduction
Time	Clock/On/off Timer/Auto Sleep/ Power On Delay
Information display	Serial Number, SET ID, MNT S/W Version
Mute	Yes
Sleep Timer	Yes
Auto Power/Source Memory	Yes
Key Lock	Yes
DPM Select	Yes

CABINET

Color	Black/Silver
Bezel Width	30.4mm
Monitor Dimension (W×H×D)	39.2" x 23.1" x 4.5"
Monitor Weight (W×H×D)	39.2 lbs
Monitor Dimension w/opt. stand (W×H×D)	39.2" x 26.5" x 11.5"
Weight w/opt. stand	46.4 lbs
Monitor w/opt. stand and opt. speakers (W×H×D)	39.2" x 26.5" x 11.5"
Weight w/opt. stand and opt. speakers	48.1 lbs
Carton Dimensions (W×H×D)	44.1" x 26.0" x 11.2" (Head only) 52.4" x 30.4" x 10.1" (Full Package)
Packed Weight	48.4 lbs (Head only) 57.5 lbs (Full Package)
Wall Mount Interface	600mm x 400mm (AP-WX60) VESA™ Compatible only with respect to screw mounting interface dimensions and mounting screw specifications

POWER

Power Supply	100-240V~, 50/60Hz
Power Type	Built-in Power
Power Consumption	220 W
Normal	1W (RGB)/2W (HDMI/DVI)
DPMS Off	0.5W
Switch Off	0.5W

STANDARD (CERTIFICATIONS)

Safety	UL/cUL/CB scheme/TUV
EMC	FCC Class "B"/VCCI/C-tick/CE/ KCC
ErP / ENERGY STAR 5.0	Yes/Yes
UPC	7 19192 18747 4

SERVICE/LIMITED WARRANTY

OPTIONAL ACCESSORIES	3 Years (parts/labor)
----------------------	-----------------------

Hidden Speakers (SP0000K)	Black
Speaker Dimensions (W x H x D)	1.6" x 12.9" x 2.2"
Speaker Weight (each)	0.8 lbs
Packaging Dimensions (W x H x D)	15.1" x 5.3" x 6.9"
Packed Weight	2.4 lbs (2 Speakers/1 Package)
ST4210K (Stand)	Fits M4210LCBA
Stand Dimensions (W x H x D)	24.4" x 6.2" x 11.5"
Weight	7.9 lbs



All screen images are simulated. Dimensions and weights are approximate. Design, specifications, and features subject to change without notice.

© Copyright 2010 LG Electronics USA, Inc. All Rights Reserved. "LG Life's Good" is a registered trademark of LG Corp.

ENERGY STAR is a registered trademark of the U.S. Environmental Protection Agency. In Plane Switching is a trademark of LG Philips LCD Ltd. VESA is a trademark of Video Electronics Standards Association. HDMI, the HDMI logo and High-Definition Multimedia Interface are trademarks or registered trademarks of HDMI Licensing LLC. All other product and brand names are trademarks or registered trademarks of their respective companies.

Printed in the USA. October 2010

www.LGolutions.com

LG Electronics U.S.A., Inc.
Business Solutions Division
2000 Millbrook Drive
Lincolnshire, IL 60069

Customer Service: 888.865.3026
www.LGolutions.com/support

Contact your LG Regional Sales Representative:
Vertical Markets: 800.897.8788
Channel: 800.897.8871
Hospitality: 800.228.1236
E-mail: info@LGolutions.com



SPEC_M4210LCBA_101001_PR

3M™ MicroTouch™ System DST2270DX

The Reliable Touch Solution for Large Screen Displays

Feature	Benefit
Dispersive Signal Technology	<ul style="list-style-type: none">• Superior surface durability is designed to maintain optical and functional performance over the life of the product• Provides reliable operation in the presence of dust, dirt, and other surface contaminants
Durable Glass Surface	<ul style="list-style-type: none">• Requires MoHS 7 or higher to induce a cosmetic scratch ensuring reliable performance in high-use environments.• Chemically-strengthened glass meets EN/UL 60950 glass breakage specifications• Anti-glare surface etch provides excellent optical properties in a wide range of ambient light conditions and minimizes the appearance of fingerprints
Versatile Installation Options	<ul style="list-style-type: none">• Outstanding performance in either vertical position (portrait and landscape) and horizontal position (as in a tabletop configuration)

System Performance

Input Method	Finger and stylus input
Accuracy	Reported coordinates are within 1.0% of true position (based on viewing area dimensions)
Touch System Resolution	16k x 16k (maximum resolution)
Response Time	20 ms for tap input
Minimum Touch Impact*	50 mN-s (milli-newton seconds), the equivalent of a very light touch

Optics

Light Transmission**	92% light transmission (±2%)
Surface Finish	Anti-glare etch (standard)

Mechanical

Glass Thickness	2.2 mm (± 0.2 mm), glass only
Overall Thickness	4.4 mm (± 0.5 mm) Includes glass thickness, tail, electronics components, and mounting material
Substrate Material	Chemically-strengthened glass substrate
Surface Hardness	Mohs pick with a hardness rating of 7 or higher is required to induce a scratch. Scratches will not result in a functional failure
Cleaning	Recommended 50:50 isopropyl alcohol and water solution

Reliability

Surface Obstructions	Touch screen operation withstands surface contaminants such as dirt, dust and grime
Operating Temperature***	-15° C to +70° C for the touch screen RH: Up to 90% non-condensing
Storage Temperature***	-50° C to +85° C RH: Up to 90% non-condensing

Electronics (3M MicroTouch Controller DX)

Communications Protocol	Auto-sensing dual mode (Serial plug and play and/or USB HID)
Nominal Uncased Dimensions	2.66" x 3.75" x 0.45" 67.56 mm x 95.25 mm x 11.43 mm
MTBF	>140k hours per MIL Std. 217F calculation
Regulatory	UL/cUL, FCC-A, CE, VCCI, AS/NZS 3548
Drivers	MicroTouch MT7 for Microsoft® Windows® 2000, XP and VISTA

System Warranty

3-year limited warranty

* Tested at 73 dBA under pink noise, ambient condition

** Test uses BYK Gardner Haze Gard Plus.

*** See 3M MicroTouch SCT2270DX Delivery Specifications for storage and operating temperatures at varying humidity levels.

3M Touch Systems
Subsidiary of 3M Company
501 Griffin Brook Park Drive
Methuen, MA 01844
U.S.A.
1-888-659-1080
www.3M.com/touch

IMPORTANT NOTICE TO PURCHASER: Specifications are subject to change without notice. These 3M Touch Systems' Products and software are warranted to meet their published specifications from the date of shipment and for the period stated in the specification. 3M Touch Systems makes no additional warranties, express or implied, including but not limited to any implied warranties of merchantability or fitness for a particular purpose. User is responsible for determining whether the 3M Touch Systems Products and software are fit for User's particular purpose and suitable for its method of production, including intellectual property liability for User's application. If the Product, software or software media is proven not to have met 3M Touch Systems' warranty, then 3M Touch Systems' sole obligation and User's and Purchaser's exclusive remedy, will be, at 3M Touch Systems' option, to repair or replace that Product quantity or software mediator to refund its purchase price. 3M Touch Systems has no obligation under 3M Touch Systems' warranty for any Product, software or software media that has been modified or damaged through misuse, accident, neglect, or subsequent manufacturing operations or assemblies by anyone other than 3M Touch Systems. 3M Touch Systems shall not be liable in any action against it in any way related to the Products or software for any loss or damages, whether non-specified direct, indirect, special, incidental or consequential (including downtime, loss of profits or goodwill) regardless of the legal theory asserted. (7/02)

3M and MicroTouch are trademarks of 3M Company.

Printed in USA © 3M 2011 Kirtel-3M-LG -0111

MicroTouch

www.3m.com/touch

3M