

47" class (46.9" diagonal) M4716T

Touchscreen LCD

HD Capable Monitor

3M DST TOUCHSCREEN
Fast, accurate touch response

NATIVE DISPLAY RESOLUTION
1920 x 1080 (WUXGA)

HIGH BRIGHTNESS
500 cd/m²

CONTRAST RATIO
1,300:1, 20,000:1 (DCR)

NEW! BUILT-IN READY (with NC2000)

178° VIEWING ANGLE

VIEWING ANGLE and LIFE EXPECTANCY
Enhanced in Portrait and Landscape Mode

NARROW BEZEL
36mm

RJ-45 LAN CONTROL

RS-232C CONTROL

HDMI™/DVI WITH HDCP

ENERGY STAR® 5.0 AND RoHS COMPLIANT

NEW! USB PLAYBACK

CONVENIENT EXTERNAL SPEAKER-OUT

INFORMATION DISPLAY FOR SERIAL NUMBER

SPLIT ZOOM (self video wall)
Up to 5 x 5 matrix - adjusts for bezel width

OPTIONAL HIDDEN SPEAKERS (SP0000K) and
OPTIONAL STAND (ST4710K)

3-YEAR LIMITED WARRANTY
parts/labor



Offered by



www.kristel.com

Touch-enabled by
3M Dispersive Signal Technology



www.3M.com/touch

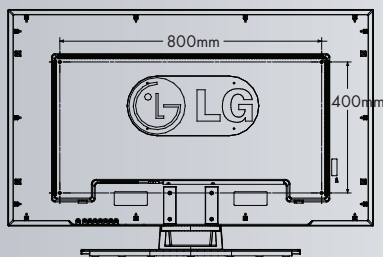
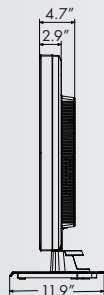
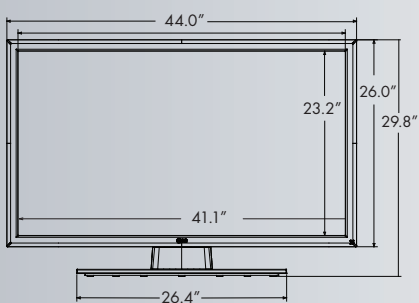


LG

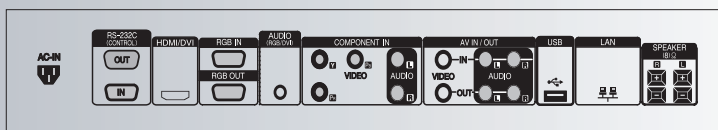
Life's Good

www.LGolutions.com

M4716T 47" CLASS (46.9" DIAGONAL)



Rear Jack Pack Panel



PANEL

LCD Panel Type	47"
Display Area	46.9" diagonal
Aspect Ratio	16 : 9
Native Resolution	1920 x 1080 (Full HD)
Pixels (H x V x 3)	6,220,800
Brightness	500 cd/m ²
Contrast Ratio	1,300:1, 20,000:1 (DCR)
Color Gamut	72%
T _{ni}	75 °C
Viewing Angle (H x V)	178° x 178°
Color Depth	1.06 Billion
Response Time	10ms (G to G)
Surface Treatment	Hard Coating (3H) Anti-glare
Lifetime	50,000 Hr., Portrait & Landscape

VIDEO

Max Input Resolution	1920 x 1080 @ 60Hz (RGB, HDMI/DVI)
Recommended Resolution	1920 x 1080 @ 60Hz (RGB, HDMI/DVI)
H-Scanning Frequency	30 ~ 83kHz (RGB, HDMI/DVI)
V-Scanning Frequency	56 ~ 75 Hz (RGB), 60 Hz (HDMI/DVI)
Pixel Frequency	148.5 MHz (RGB, HDMI/DVI)
Sync Compatibility	Separate / Composite / Digital
Video Input	RGB, HDMI/DVI
Picture Mode	Vivid/Standard/Cinema/Sports/Game/Expert1/Expert2
Color Temperature	Warm/Medium/Cool

REAR INPUTS/OUTPUTS

Component Video	Yes, 1 Hi-Res
PC Input via 15-Pin Sub "D"	Yes, 1 / 1
Composite Video Input/Output	1 / 1
Audio Output	Yes
Audio Inputs	Yes, 2 Plus PC Sound

SPECIFICATIONS

HDTV Formats	Component : 720p/1080i HDMI: 720p/1080i/1080p
PC Formats	Auto Scaling to XUGA
HDMI/DVI with HDCP	Yes
RS-232C Input/Output	1 / 1, Female-to-Female Crossed Type
RJ-45	Yes
USB	Yes
External Speaker Out	Yes

AUDIO

Auto Volume	Yes
Balance	Yes
Audio Power	20W (10W x 2)
Speaker On/off	Yes
Sound mode	Standard/Music/Cinema/Sports/Game

SPECIAL FEATURES

NC2000(Optional PC) compatible	Yes
New Temperature Sensor	Yes
Split Zoom (Self Video Wall, Max 5 x 5)	Yes, supports natural mode
Source Selection	HDMI/DVI/RGB/Component/AV, SuperSign (Option)
Display control (RS-232C & Network, ez-Net Manager)	Single/Group WAN control, Scheduling, Instant Messaging, Self Diagnosis (Temp, FAN, Lamp, Power Detect), Alarm Service through mailing, Easy Tile mode setup, S/W upgrade via Network, USB Playback

Brightness/Contrast	Yes
Position/Size	Yes
Auto Config/Phase	Yes
Tracking	Auto/Clock/Phase
Language	English/French/Spanish/Italian/German/Portuguese/Korean/Japanese/Chinese/Russian

ISM Method	Normal/White Wash/Orbiter/Inversion
Advanced	Color Temp, Dynamic Contrast, Dynamic Color, Noise Reduction, Gamma, Black Level, Film Mode

Time	Clock/On/Off Timer/Sleep Timer/Power Off, Power On Delay
------	--

Information Display	Serial Number, MNT S/W Version, LAN S/W Version, IP Address, MAC Address
---------------------	--

Input Label	Yes
Auto Power/Source Memory	Yes
Key Lock	Yes
DPM Select	Yes
Energy Saving	Yes, Level1/Level2/Level3
Power Indicator On/Off	Yes
Logo Light On/Off	Yes
File Play with USB	Yes

CABINET

Color	Black
Bezel Width	36mm
Monitor Dimension (W×H×D)	44.0" x 26.0" x 4.7"
Monitor Weight	63.5 lbs
Monitor Dimension w/opt. stand (W×H×D)	44.0" x 29.8" x 11.9"
Weight w/opt. stand	72.4 lbs
Weight w/opt. stand and opt. speakers	74.0 lbs
Carton Dimensions (W×H×D)	47.4" x 30.6" x 13.1" (Head Only) 55.4" x 31.9" x 11.8" (Full Package)

Packed Weight	69.5 lbs (Head Only) 83.5 lbs (Full Package)
---------------	---

VESA™ Standard Mount Interface	800mm x 400mm, (AP-WX60) VESA Compatible only with respect to screw mounting interface dimensions and mounting screw specifications
--------------------------------	--

POWER

Power Supply	100-240V~, 50/60Hz
Power Type	Built-in Power
Power Switch	Yes
Power Saving	
Normal	240W
DPMS	1W (RGB)/2W (HDMI)
Switch Off	0.5W

STANDARD (CERTIFICATION)

Safety	UL/c-UL/CB scheme/TUV
EMC	FCC Class "A"/VCCI/C-tick/CE/KCC
Erp/ENERGY STAR 5.0	Yes
RoHS compliant	Yes
UPC	719192187528
SERVICE/LIMITED WARRANTY	3 Years (Parts/Labor)

OPTIONAL ACCESSORIES

Hidden Speakers (SP0000K)	Black
Speaker Dimensions (W x H x D)	1.6" x 12.9" x 2.2"
Speaker Weight (each)	0.8 lbs
Packaging Dimensions (W x H x D)	15.1" x 5.3" x 6.9"
Packed Weight	2.4 lbs (2 Speakers/1 Package)
ST4710K (stand)	Fits M4716CCBA
Stand Dimensions (W x H x D)	26.4" x 8.4" x 12.6"
Weight	8.9 lbs

www.LGolutions.com

LG Electronics U.S.A., Inc.
Business Solutions Division
2000 Millbrook Drive
Lincolnshire, IL 60069

Customer Service: 888.865.3026
www.LGolutions.com/support

Contact your LG Regional Sales Representative:
Vertical Markets: 800.897.8788
Channel: 800.897.8871
Hospitality: 800.228.1236
E-mail: info@LGolutions.com

SPEC_M4716CCBA_081033_PR



All screen images are simulated. Dimensions and weights are approximate. Design, specifications, and features subject to change without notice.

© Copyright 2010 LG Electronics USA, Inc. All Rights Reserved. "LG Life's Good" is a registered trademark of LG Corp.

ENERGY STAR is a registered trademark of the U.S. Environmental Protection Agency. In Plane Switching is a trademark of LG Philips LCD Ltd. VESA is a trademark of Video Electronics Standards Association. HDMI, the HDMI logo and High-Definition Multimedia Interface are trademarks or registered trademarks of HDMI Licensing LLC. All other product and brand names are trademarks or registered trademarks of their respective companies.

Printed in the USA. October 2010



LG
Life's Good

3M™ MicroTouch™ System DST2270DX

The Reliable Touch Solution for Large Screen Displays

Feature	Benefit
Dispersive Signal Technology	<ul style="list-style-type: none"> Superior surface durability is designed to maintain optical and functional performance over the life of the product Provides reliable operation in the presence of dust, dirt, and other surface contaminants
Durable Glass Surface	<ul style="list-style-type: none"> Requires MoHS 7 or higher to induce a cosmetic scratch ensuring reliable performance in high-use environments. Chemically-strengthened glass meets EN/UL 60950 glass breakage specifications Anti-glare surface etch provides excellent optical properties in a wide range of ambient light conditions and minimizes the appearance of fingerprints
Versatile Installation Options	<ul style="list-style-type: none"> Outstanding performance in either vertical position (portrait and landscape) and horizontal position (as in a tabletop configuration)

System Performance

Input Method	Finger and stylus input
Accuracy	Reported coordinates are within 1.0% of true position (based on viewing area dimensions)
Touch System Resolution	16k x 16k (maximum resolution)
Response Time	20 ms for tap input
Minimum Touch Impact*	50 mN-s (milli-newton seconds), the equivalent of a very light touch

Optics

Light Transmission**	92% light transmission (±2%)
Surface Finish	Anti-glare etch (standard)

Mechanical

Glass Thickness	2.2 mm (± 0.2 mm), glass only
Overall Thickness	4.4 mm (± 0.5 mm) Includes glass thickness, tail, electronics components, and mounting material
Substrate Material	Chemically-strengthened glass substrate
Surface Hardness	Mohs pick with a hardness rating of 7 or higher is required to induce a scratch. Scratches will not result in a functional failure
Cleaning	Recommended 50:50 isopropyl alcohol and water solution

Reliability

Surface Obstructions	Touch screen operation withstands surface contaminants such as dirt, dust and grime
Operating Temperature***	-15° C to +70° C for the touch screen RH: Up to 90% non-condensing
Storage Temperature***	-50° C to +85° C RH: Up to 90% non-condensing

Electronics (3M MicroTouch Controller DX)

Communications Protocol	Auto-sensing dual mode (Serial plug and play and/or USB HID)
Nominal Uncased Dimensions	2.66" x 3.75" x 0.45" 67.56 mm x 95.25 mm x 11.43 mm
MTBF	>140k hours per MIL Std. 217F calculation
Regulatory	UL/cUL, FCC-A, CE, VCCI, AS/NZS 3548
Drivers	MicroTouch MT7 for Microsoft® Windows® 2000, XP and VISTA

System Warranty

3-year limited warranty

* Tested at 73 dBA under pink noise, ambient condition

** Test uses BYK Gardner Haze Gard Plus.

*** See 3M MicroTouch SCT2270DX Delivery Specifications for storage and operating temperatures at varying humidity levels.

3M Touch Systems
Subsidiary of 3M Company
501 Griffin Brook Park Drive
Methuen, MA 01844
U.S.A.
1-888-659-1080
www.3M.com/touch

IMPORTANT NOTICE TO PURCHASER: Specifications are subject to change without notice. These 3M Touch Systems' Products and software are warranted to meet their published specifications from the date of shipment and for the period stated in the specification. 3M Touch Systems makes no additional warranties, express or implied, including but not limited to any implied warranties of merchantability or fitness for a particular purpose. User is responsible for determining whether the 3M Touch Systems Products and software are fit for User's particular purpose and suitable for its method of production, including intellectual property liability for User's application. If the Product, software or software media is proven not to have met 3M Touch Systems' warranty, then 3M Touch Systems' sole obligation and User's and Purchaser's exclusive remedy, will be, at 3M Touch Systems' option, to repair or replace that Product quantity or software mediator to refund its purchase price. 3M Touch Systems has no obligation under 3M Touch Systems' warranty for any Product, software or software media that has been modified or damaged through misuse, accident, neglect, or subsequent manufacturing operations or assemblies by anyone other than 3M Touch Systems. 3M Touch Systems shall not be liable in any action against it in any way related to the Products or software for any loss or damages, whether non-specified direct, indirect, special, incidental or consequential (including downtime, loss of profits or goodwill) regardless of the legal theory asserted. (7/02)

3M and MicroTouch are trademarks of 3M Company.

Printed in USA © 3M 2011 Kirstel-3M-LG -0111

MicroTouch

www.3m.com/touch

3M