

Digital Signage  
Conferencing  
Fairs & Events



### Key Features

- 46" LCD TFT public display
- out-of-home media panel
- IR touch screen
- 1920 x 1080 resolution
- 4000:1 high contrast
- 700 cd/m<sup>2</sup> high brightness
- 178° (h/v) wide viewing angle
- array of connectors
- stand-alone metal housing
- tempered glass
- auto cooling system
- remote control & maintenance

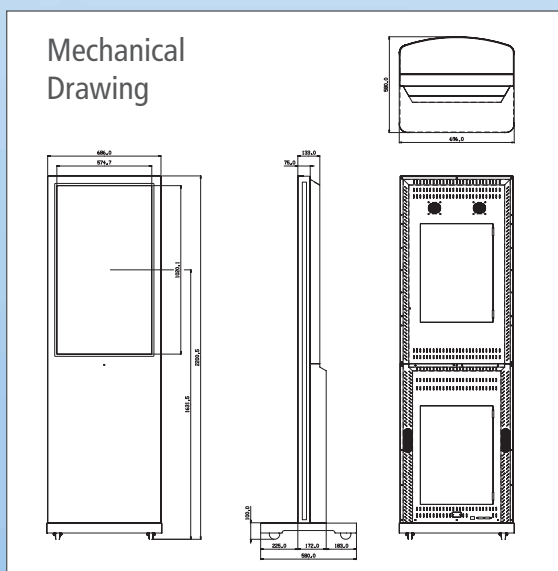
## D467SLI – Touch Screen Display

Since the mid-90s, the name HYUNDAI has been synonymous with the design and production of state-of-the-art display technologies. Advanced devices offering sophisticated design and supreme image quality – with "built-in" future-proofing.

HYUNDAI IT's stand-alone public displays are the best solution for single screen information signage. Combining dynamic screen contents and the static depiction of your corporate identity the stand-alone public displays are bringing the maximum brand communication to the Point of Information. Exhibitions, hotel and offices lobbies, customer waiting areas and retail shops are some examples for the versatile fields of operation. Being equipped with touch screen functionality (IR ray technology) HYUNDAI public displays enable interactive applications in the field of POS.



Display Panel	Panel Technology		LCD   TN TFT
	Screen Size (inch   cm)		46"   116,84
	Active Display Area (mm)		1018.08(H) x 572.67(V)
	Number of Pixels		1920 x 1080 (WUXGA)
	Aspect Ratio		16 : 9
	Display Colors		16.7 Mil.
	Brightness (cd/m <sup>2</sup> )/(typ)		700
	Contrast Ratio		4000 : 1
	Response Time (ms, GTG)		8
	Viewing Angle (H/V)		178°/178°
	Life Time		50,000h
	Housing		black powder coated metal
	Touch Screen	Resolution	
Response Time (ms)		Touch: 10   Drawing: 15.2	
Glass		Transmission: 93% up to 100%, Thickness: 5mm with anti-vandal	
Available object size for Touch (mm)		Touch: ø6   Stylus: ø7	
Interface		USB 2.0	
Touch Intensity		over 60,000,000	
Detection Method		Infrared Rays	
Resolution	Monitor		1920 x 1080
	DTV (without tuner)		1080p
Connectivity & Control	Input	Video	1x VGA (15pin D-Sub), 1 x HDMI, 1x Composite (BNC), 1x Component (BNC), 1x RS232C
		Audio	1x PC, 1x Component, 1x Composite
	Output	Video	1 x VGA (15pin D-Sub), 1x DVI (connector type: HDMI), 1x Composite (BNC), 1x Component (BNC), 1x RS232C
		Audio	Speaker (10Wx2CH)
	Integrated Video Wall Function (Multi-Screen)		available with: HDMI, D-Sub, Component, Composite
	Power Requirement	Input Voltage   Consumption (typ) (W)	100 - 240VAC   260
	Auto Cooling System		Yes
Auto Power Control (DPMS)		Yes	
Option	Tempered Glass		yes
Mechanical	Dimension (mm)	Set (W x H x L)	701.8 x 1147.4 x 150
		Stand Included (W x H x D)	701.8 x 1992 x 500
		Stand Base (W x H x D)	701.8 x 110 x 500
	Weight (kg)	Set (kg)	114,5
Approvals	EMI/EMC   Safety		—
Environmental Conditions	Temperature   Humidit		0°- 40°   20% – 80%
OSD Languages			10
Accessories			Power cord, Manual, VGA Cable, DVI2HDMI Cable, Remote Control Unit, Audio Cable
Warranty			Standard: 2 years, less than 18 hours usage per day
EAN Code			880 909 374 644 2



Technical details are subject to change without further notice.  
Errors excepted. Version: as of April 2010.